

Network Extenders

AT-MC601/2 Extended Ethernet™ over VDSL

AT-MC601

Subscriber Unit

AT-MC602

Provider Unit

Extended Ethernet™ operation

Used as a pair, the AT-MC601 and AT-MC602 provide over 10Mbps of symmetric data transfer, while supporting POTS service over phone-grade, twisted-pair, wiring (CAT1, 2, 3) at distances up to 1.2Km or 4,000 feet.

They are the ideal solution for providing over 10Mbps operation on 'last-mile' twisted-pair circuits or existing in-building wiring.

Standard Ethernet operation is preserved end-to-end, retaining VLAN tags, and Ethernet MAC information across the link, while higher layer protocols are passed transparently. 10Mbps Ethernet operation is supported simultaneously with POTS, ISDN or PBX signalling, without disruption.

MTU and MDU applications

Multi-Tenant Units (MTU) such as offices and campuses, and Multiple Dwelling Units (MDU) such as hotels and apartments are an ideal environment for the AT-MC601/2 network extenders, where phone-grade wiring can be used to provide broadband access to Internet services including Video streaming, WWW, Gaming and e-mail. There is no need to re-wire premises with expensive CAT5 or fibre to provide broadband Ethernet services.

Standalone and rackmount

The AT-MC602 provider unit is available as a compact standalone unit for installation at the central office, or alternatively, it can be rack-mounted in the standard AT-MCR12 chassis from Allied Telesyn, capable of housing up to twelve units in one, compact chassis with a redundant power supply, simplifying wiring and minimising space requirements.

Plug & Play operation

Simply connect to the RJ45 Ethernet port and the unit will automatically auto-sense and configure for 10T or 10/100T, as well as full or half-duplex Ethernet operation. An integral POTS splitter means that existing phone services are not affected - no reconfiguration is required.

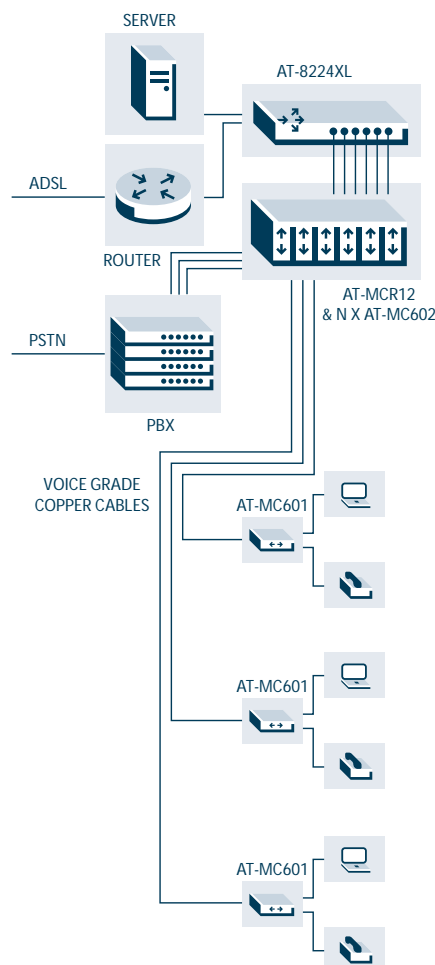


Diagram shows deployment of AT-MC601/602 over existing telephone wiring, to provide shared access to high-speed ADSL services.



Key features

- 11Mbps full-duplex Ethernet operation up to 1.2Km or 4,000ft - symmetrical operation
- Up to 25Mbps downstream asymmetrical operation
- Traffic shaping upstream and downstream
- Both symmetrical and asymmetrical operation
- Operates over category 1,2,3 or 5 telephone quality cabling
- 10/100 Ethernet port
- POTS port
- Integral POTS splitter
- Auto MDI/MDI-X
- Power, Ethernet Activity and Link LEDs
- VDSL Error and Link LEDs
- GUI Configuration Tool
- Standalone, rackmountable and wallmountable
- Software Upgradable
- Compact Form Factor
- Lifetime limited warranty

AT-MC601/2, Extended Ethernet™ over VDSL

PRODUCT SPECIFICATIONS

Supports proposed 10S specification
QAM Modulation
Spectrally compatible with ISDN and POTS services
FDD duplexing
Datarate 11Mbps full-duplex
64K EEPROM
Half/full-duplex
Auto-negotiation
Auto MDI/MDI-X

SPEED/DISTANCE

11Mbps at 1.2km, 4000ft Symmetric
(Subject to cable type)

FRONT PANEL INDICATORS

System Power
Ethernet Link
Ethernet Activity
VDSL Link
VDSL Error

INTERFACE CONNECTIONS

VDSL Interface	RJ-11
Ethernet Interface	RJ45
POTS Interface	RJ-11
Management	8 pin Din

RELIABILITY

MTBF 700,000 hours

PHYSICAL CHARACTERISTICS VDSL INTERFACE

Dimensions	2.5cm (H) x 9.5cm (W) x 10.9cm (D)
Weight	300g
Mounting	Tabletop and rackmountable*

* requires AT-MCR12 chassis

ENVIRONMENTAL SPECIFICATIONS

Operating Temp.	0°C – 40°C (32°F – 104°F)
Storage Temp.	-25°C to 70°C (-13°F to 158°F)
Relative Humidity	5% to 95%, non-condensing

Operating Altitude up to 10,000ft

NETWORK MANAGEMENT

GUI Configuration Tool
The subscriber unit can be remotely managed, down the link, from the provider unit

POWER CHARACTERISTICS

Voltage	12vDC
Current	500mA
Frequency	50-60Hz

COUNTRY OF ORIGIN

Singapore

APPROVALS

UL 1950
FCC Class B
CSA
EN 55022 Class B
EN 60950 (TUV)
EN 50082-1

About Allied Telesyn

Allied Telesyn International is a member of the Allied Telesyn Group (ATI) who, founded in 1987, now has offices throughout the globe, over 3,000 employees worldwide and over \$600M of worldwide annual revenue. The attributes which have led ATI to achieve its leading position in both the enterprise, operator and connectivity business segments can be summarised by four key elements: its business focus on networking technology for professional markets, where ATI has proved to be the only company capable of providing a total end-to-end solution at a high price/performance ratio; the ability to handle every aspect of its own products from design to marketing; the development of components and solutions which accommodate flexible, efficient and reliable network construction; support from sound warranty terms and quality services. Allied Telesyn connects the IP world efficiently thanks to affordable and highly reliable network solutions. For more information see: www.alliedtelesyn.com <<http://www.alliedtelesyn.com>>

Service & Support

Allied Telesyn provides value-added support services for its customers under its Net.Cover® programs. For more information on Net.Cover® support programs available in your area, contact your Allied Telesyn sales representative or visit our website.

www.alliedtelesyn.com

ORDERING INFORMATION

AT-MC601-xx
(Subscriber Unit)

AT-MC602-xx
(Provider Unit)

VDSL Extended Ethernet™

Where xx = 10 for US power supply
20 for European power supply
30 for UK power supply
40 for Australian power supply