

VKC-1344/3.8

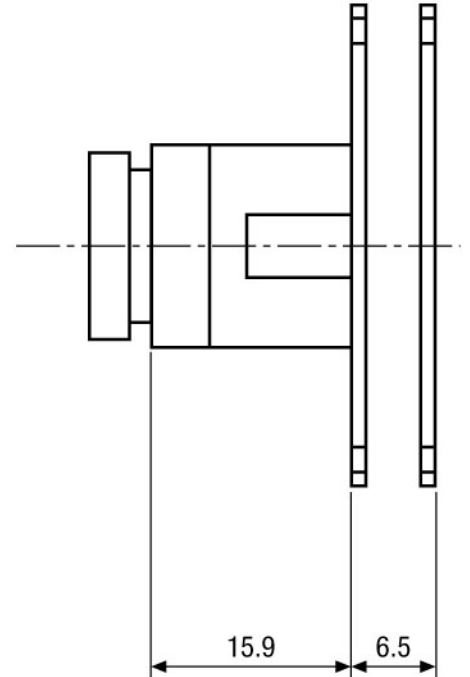
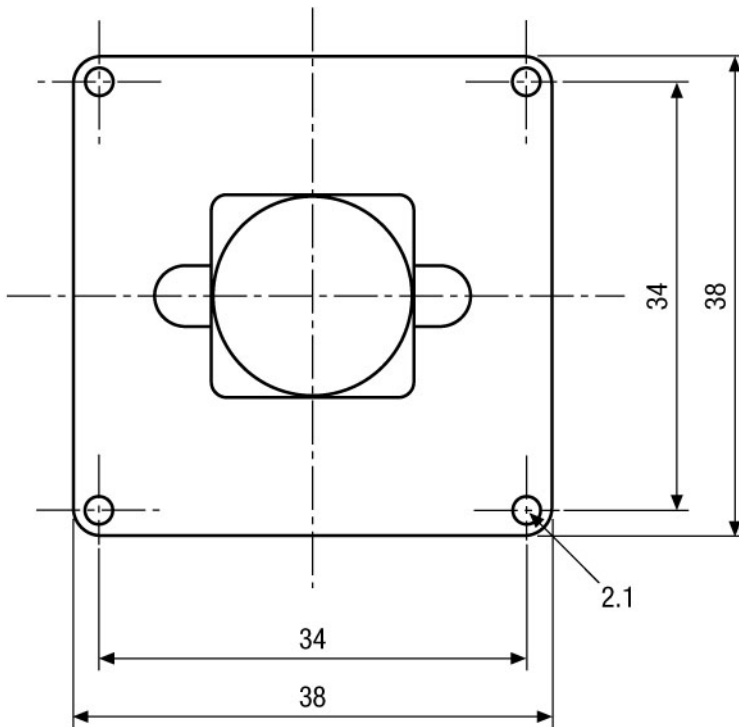
(Continuation Specifications)

Flickerless function	1/120sec. On/Off switchable
White balance	automatic
Backlight compensation	BLC, ON/OFF switchable
Wide Dynamic Range (WDR)	no
IR cut filter	standard
Internal adjustments	AGC, BLC, ESC, Flickerless, DC-Iris level
Video outputs	composite (CVBS)
Lens type	fixed focal length
Lens	F2,0 / 3.8mm with fixed focus
Focal length	3,8 mm
PTZ support	no
Digital zoom	no
Horizontal angle of view	65°
Iris control	no
MOD (Minimum object distance)	0,1 m
Illumination	no
Activity detection	no
Serial interfaces	no
External connections	Video, 12VDC (Molex socket)
Mounting	2 Fixing holes at 48mm distance (diagonal)
Temperature range (operation)	-10°C ~+50°C
Housing	without housing
Hidden cable management	no
Vandalism resistant	no
Protection rating	n/a
Alarm inputs	-
Alarm outputs	-
Supply voltage	12VDC, (9 ~15VDC), 12VDC ±0,5V recommended
Power consumption	2.1W max.
Dimensions (HxWxD)	see drawing
Weight	Approx. 35g
Certificates	CE

Optional accessories

70495	VT-PS12DC-7	Plugable PSU w. Cont. & UK Mains plug-in 100- 240VAC/12VDC-1.25A, Regulated
70535	VT-PS12DC-8	Plug-in Power Supply Unit 100-240VAC 12VDC (1.0Amp), Regulated, with DC Plug
77773	VT-PS12DCDT1	PSU 12VDC/1.0A, Regulated, Desktop Version, 1.8m Cables each w. open ends

Technical drawing



Maße/Dimensions: mm

