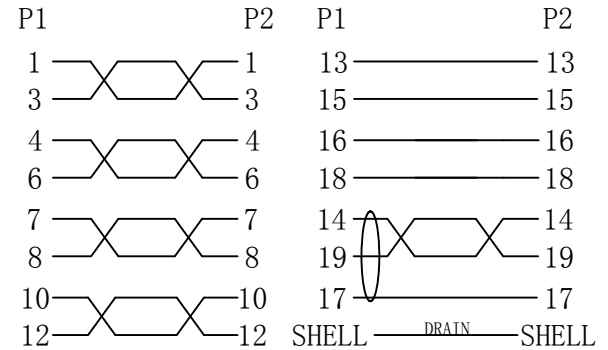


Electronic Tests:

1. Open/Short/Intermittence: 100%
2. Insulation Resistance: DC300V 0.01S 10MΩ (Min)
3. Conductive Resistance: 10Ω (Max)
4. RESOLUTION: 4K*2K@30Hz
5. RoHS & REACH COMPLIANT

PIN OUT



⑥	DUST CAP	HDMI MALE LDPE	2	PCS
⑤	FERRITE	28.5*φ14*φ9.0	2	PCS
④	MOLDED	45P Black PVC		G
③	MOLDED	LDPE		G
②	CONNECTOR	HDMI A Male, Gold Plated Pin, Black Insulation, Gold Plated Shell	2	PCS
①	CABLE	(1/0.32CCS*1P+AL/MY)*4C+(1/0.32CCS*1P+D+AL/MY)*1C+1/0.32CCS*4C+AD BLACK PVC JACKET, OD: 7.3 ± 0.2mm MARKING: High Speed HDMI Cable with Ethernet	5000	MM
NO.	MATERIAL	DESCRIPTION	QTY.	UNIT

Ltemref	Quantity	Title/Name, designation, material, dimension etc			Article NO./Reference	
Designed by FLY	Checkde by HELEN	Approved by - date 2022.12.20	File name	Date 2022.12.20	Scale FREE	
ANGLE:			BC-DSP-HA-MM-05-1			
UNIT:MM				Edition 1	Sheet 1/1	