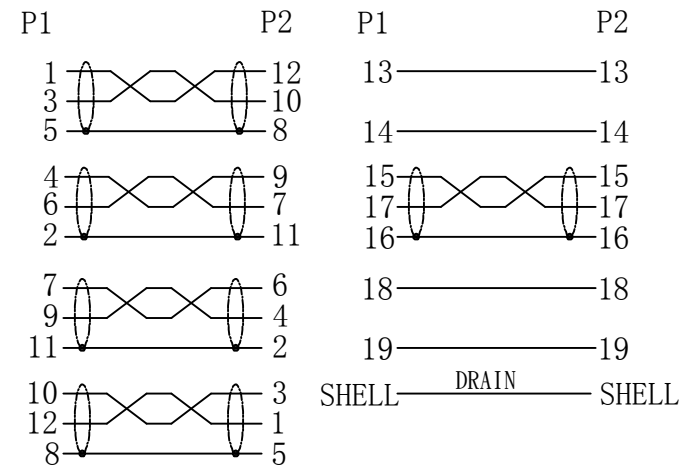


P/N	L/(mm)	T/(mm)
BC-DSP-DP-MM-02-UHD60	2000	30
BC-DSP-DP-MM-03-UHD60	3000	40

NOTES:

1. OPEN/SHORT/INTERMITTENCE:100%.
2. INSULATION RESISTANCE:DC 300V 0.01S 10M Ω Min
3. CONDUCTIVE RESISTANCE:5 Ω Max
4. RESOLUTION:4K*2K@60Hz
5. RoHS & REACH COMPLIANT

PIN OUT



NO.	MATERIAL	DESCRIPTION	QTY.	UNIT
⑥	DUST CAP	DP MALE DUST CAP	2	PCS
⑤	MOLDED	45P BLACK PVC		G
④	MOLDED	LDPE		G
③	PLASTIC HOOD	DP MALE BLACK PLASTIC HOOD	2	SET
②	CONNECTOR	DP 20PIN MALE, GOLD PLATED PIN, BLACK INSULATION, GOLD PLATED SHELL	2	PCS
①	CABLE	(1/0.254BC*1P+D+AM)*5+1/0.254BC*4C+ADB PVC/BLACK JACKET OD:6.0±0.2mm MARKING: DisplayPort Cable E***** 兄 AWM STYLE 20276 80°C 30V VW-1	L	MM

Ltemref	Quantity	Title/Name, designation, material, dimension etc			Article NO./Reference	
Designed by FLY	Checkde by HELEN	Approved by - date 2023.01.17	File name	Date 2023.01.17	Scale FREE	
ANGLE:				BC-DSP-DP-MM-0X-UHD60		
UNIT:MM						