

# VGA Splitter User Manual

## Special Notification

Before using this product, please read this manual carefully.

Please keep this manual for future reference.

The company may change the function of product without notice.

## Product introduction

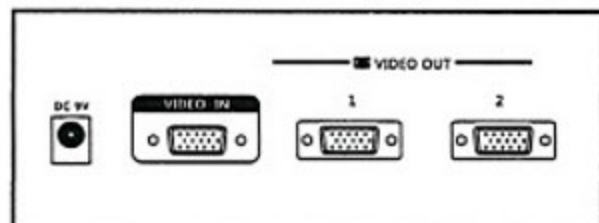
The VGA splitter is used to display the same content from one computer to several terminals. It will save your time, money, device, energy, it's a good assistant of your life and work.

## Appearance

( Take 2 port for example )



Front View



Back View

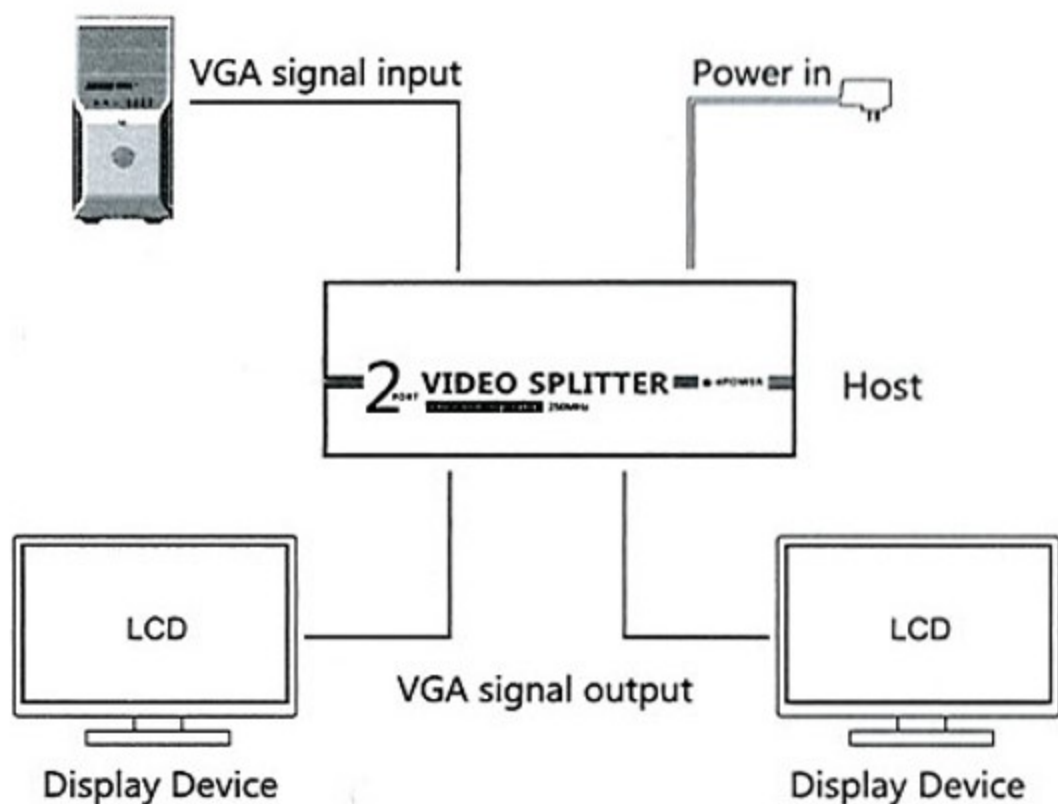
## Features

1. 2/4/8/16port VGA splitter come with attractive appearance, easy to install.
2. Support DOS, WIN3.X, WIN95/98/98SE/2K/ME/XP/NT, Linux Netware, Unix and other operating systems.
3. Support plug and play, can be free to change the quantity of display without shut down.

( To prevail in kind )

## Connection Diagram

( Take 2 port for example )



## Installation

1. Please use high quality VGA cable.
2. Check the connections to ensure the cable is properly connected.
3. Plug the external power supply, turn on the power switch.
4. Turn on the computer power.

## Technical Parameters

<b>Model Name</b>	<b>2 Port splitter</b>	<b>4 Port splitter</b>
<b>Product Name</b>	VGA splitter 1×2	VGA splitter 1×4
<b>Power</b>	DC 9V/12V- 300mA	DC 9V/12V- 300mA
<b>PC Interface</b>	VGA-HDDB-15Pin×1	VGA-HDDB-15Pin×1
<b>VGA Output</b>	VGA-HDDB-15Pin×2	VGA-HDDB-15Pin×4
<b>Screen Resolution</b>	1920*1440@60Hz	1920*1440@60Hz
<b>Bandwith</b>	450MHz	450MHz

<b>Model Name</b>	<b>8 Port splitter</b>	<b>16 Port splitter</b>
<b>Product Name</b>	VGA splitter 1×8	VGA splitter 1×16
<b>Power</b>	DC 9V/12V- 600mA	DC 9V/12V- 2A
<b>PC Interface</b>	VGA-HDDB-15Pin×1	VGA-HDDB-15Pin×1
<b>VGA Output</b>	VGA-HDDB-15Pin×8	VGA-HDDB-15Pin×16
<b>Screen Resolution</b>	1920*1440@60Hz	1920*1440@60Hz
<b>Bandwith</b>	450MHz	450MHz

## **The matters needing attention of installation**

In order to ensure the reliable performance of the equipment and the safety of the user, please observe the following matters during the process of installation, use and maintenance.

- Please do not use this product in the following places: the place of dust, soot and electric conductivity dust, corrosive gas, combustible gas; the place exposed to high temperature, condensation, wind and rain; the occasion of vibration and impact. Electric shock, fire, wrong operation can lead to damage and deterioration to the product, either;
- Should avoid wiring and inserting cable plug in charged state, otherwise it is easy to cause the shock, or electrical damage;
- The installation and wiring should be strong and reliable, contact undesirable may lead to false action;
- This product grounds by the grounding wires. To avoid electric shocks, grounding wires and the earth must be linked together. Before the connection of input or output terminal, please make sure this product is correctly grounded;
- Only after cutting down all external power source, can install, wiring operation begin, or it may cause electric shock or equipment damage;
- Please do not dismantle the equipment, avoid damaging the internal electrical component.