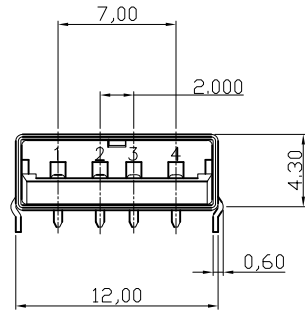
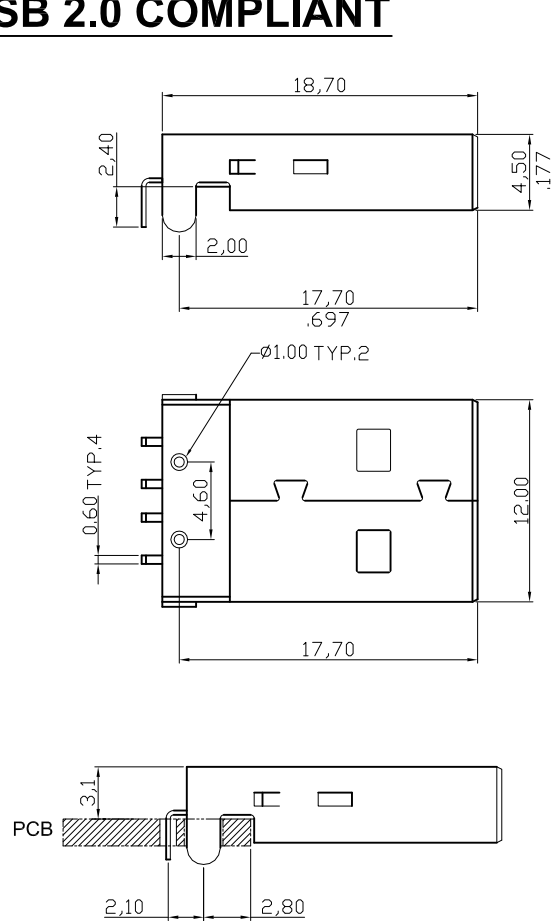
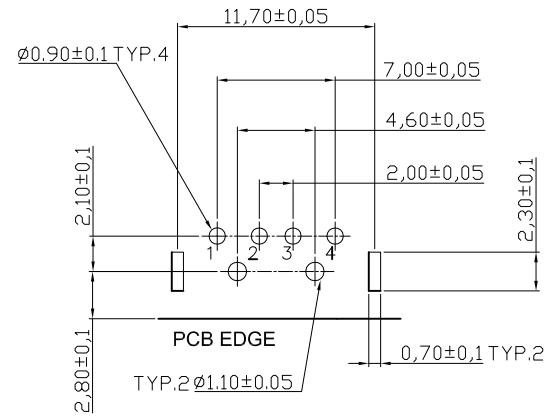


③ USB 2.0 COMPLIANT



NOTES:

1. Insulation: Glass Filled Nylon 9T UL94V-0, Color Black
2. Contact : Brass
3. Plating : Selective Gold Flash over 50 μ " Nickel
4. Shell Plating: Steel , 50 μ " Nickel over 100 μ " Cu
5. Packing: Tube



Recommended PCB Layout

RoHS compliant
Unit: mm

Scale	Free					Date	Name	Customer-No.	
TOLERANCE						Drawn	11.02.2004	Hellwig	
.X	$\pm 0,30$					Approved	19.08.2013	Amy	
.XX	$\pm 0,20$							ASSMANN WSW-No.	
.XXX	$\pm 0,10$	③	Add "USB 2.0 COMPLIANT"	19.08.2013	Amy			A-USB A-LP-C	
DIM	TOL	②	Update	07.07.2009	Dean			Drawing-No.	
X.°	$\pm 1^\circ$							ASS 1413 CO	rev03
Angle	TOL	①	Drawn	11.02.2004	Hellwig			Replace	SHEET
UNIT	mm	Id.	Modification	Date	Name				

1

2

3

4

5

6

7