

Cable
assemblies

D-Sub / Hoods
Centronics

Multiflex -
DIN41651

Modular

USB
IEEE1394

Switches

Powercords
Powerleads

DIN41612
Hardmetric

MiniDIN

Sockets / Strips
Jumper

Terminal Blocks

Memory Card

FFC / FPC

FFC/FPC Steckverbinder von ASSMANN WSW components bieten dem Anwender ein abgerundetes Produktprogramm über alle gängigen Raster von 0.30 mm, 0.50 mm, 1.00 mm, 1,25 mm bis hin zum Raster 2,54 mm. Zu dem gewählten FFC/FPC Steckverbinder finden der Anwender gleichzeitig das passende, auf den Steckverbinder abgestimmte FFC/FPC – Kabel, das aus einer Hand kommt und in der gleichen Fertigung hergestellt wird.

In den frühen 70ern wurden diese Steckverbinder erstmalig entwickelt, um den Anwendern platzsparende Alternativen mit geringem Gewicht für Standardkabel-Boardverbindungen aufzuzeigen. In den vergangenen Jahren haben sich FFC/FPC Steckverbinder im Markt weiter entwickelt und in Anpassung an die verschiedensten Applikationen haben sich verschiedenste Raster, Bauhöhen und Verriegelungsarten ausgebildet. FFC/FPC Steckverbinder von ASSMANN WSW components finden ihren Einsatz in allen Märkten. Angefangen von der Telekommunikation, der Automobiltechnik, der Mess- und Regeltechnik bis hin zur Medizintechnik und der Industrie wissen Anwender die Vorteile dieser Produkte zu schätzen.

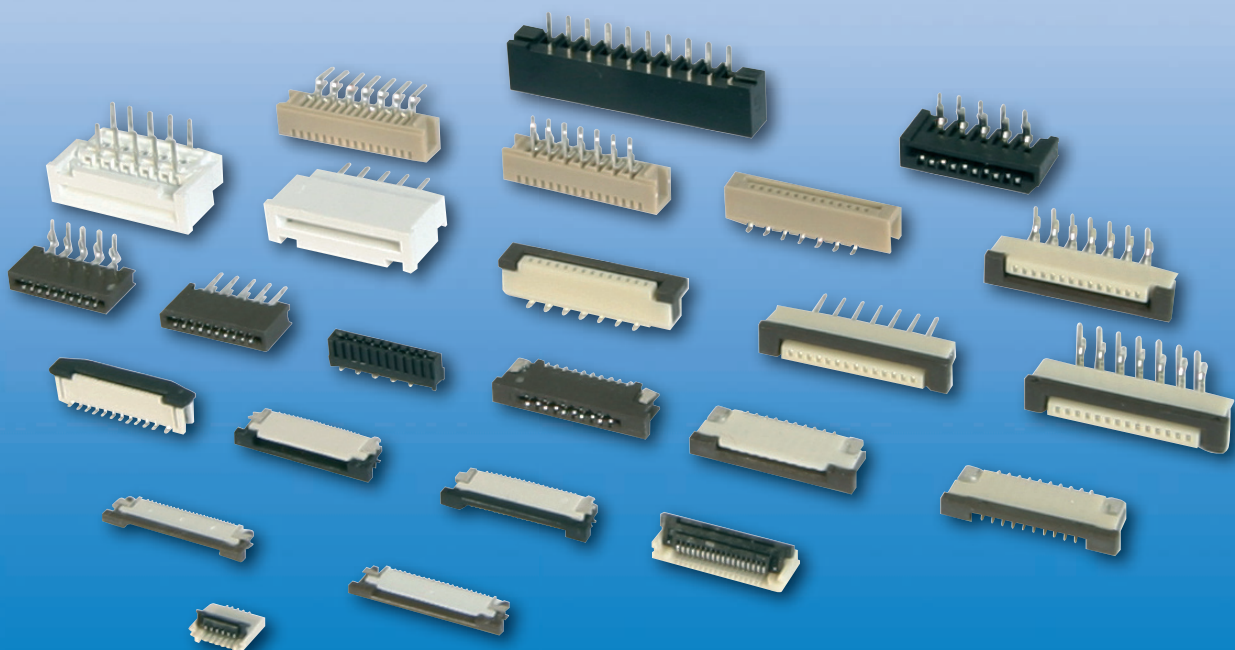
FFC / FPC Steckverbinder werden zusammen mit einem Flat Flexible Cable oder einem Flat Printed Cable als flexible Verbindung zwischen zwei Platinen genutzt. Die Kontaktierung zwischen Kabel und Steckverbinder erfolgt je nach Bauart des Steckverbinders mit geringer (LowInsertionForce) oder ohne Einsteckkräfte (ZeroInsertionForce). Diese Steckverbindung vereint Vorteile wie hohe Packungsdichten, kleine (flache) Bauformen und Automatenbestückbarkeit. Highlights in den Rastern 0.3mm und 0.5mm sind die sogenannten „One-Touch-Lock“-Varianten, die eine vereinfachte Verriegelung der ZIF Steckverbinder in einem Arbeitsvorgang ermöglichen..

ASSMANN WSW components offers a full range of FFC/FPC connectors including all common pitches 0.30mm, 0.50mm, 1.00mm, 1.25mm and 2.54mm.

In addition to the chosen FFC/FPC connectors ASSMANN WSW components as a system supplier is further offering the fully compatible FFC/FPC cable, which is designed and produced in the same factory.

In the early 1970's these kind of connectors had been developed as a pcb space saving and low weight alternative to existing standard Board to Board and Board to Wire connector systems. During the past years FFC/FPC connectors design has been under continuous evaluation and design improvements have been done to adapt as much as possible varieties of applications. Effects of these improvements became significant for smaller pitches, connector heights and different ejector designs. FFC/FPC connectors are usable in every end user market, whether it is the telecommunication, automotive, instrumentation, medicine or industrial applications.

FFC/FPC connectors are commonly used together with a Flat Flexible Cable or a Flat Printed Cable as for applications which do need a very flexible connection between two Boards or Board and I/O. The connection between connector and cable is made in line with the chosen style of the connector, whether it is a connector with LowInsertionForce and/or with ZeroInsertionForce design. These kinds of connections do combine the advantages of high integration, low height style and fully automatic assembly. Highlights are the so called `One-Touch-Lock` versions based on 0.30 mm and 0.50mm pitch, which save a second working step by easy closure of the ejector.



Produktbeschreibung

Seite

AFFC30, Raster 0.30mm, ZIF SMD, horizontal, Kontakte untenliegend	374
AFFC25, Raster 0.50mm, ZIF, SMD, horizontal, Kontakte untenliegend	376
AFFC20, Raster 0.50mm, ZIF, SMD, horizontal, Kontakte untenliegend	378
AFFC20, Raster 0.50mm, ZIF, SMD, horizontal, Kontakte obenliegend	380
AFFC20, Raster 0.50mm, ZIF, SMD, vertikal, Kontakte einseitig	382
AFFC23, Raster 0.50mm, ZIF, SMD, horizontal, Kontakte untenliegend	384
AFFC23, Raster 0.50mm, ZIF, SMD, horizontal, Kontakte obenliegend	386
AFFC25, Raster 1.00mm, ZIF, SMD, horizontal, Kontakte untenliegend	388
AFFC07, Raster 1.00mm, ZIF, SMD, horizontal, Kontakte untenliegend	390
AFFC07, Raster 1.00mm, ZIF, SMD, horizontal, Kontakte obenliegend	392
AFFC08, Raster 1.00mm, LIF, SMD, horizontal, Kontakte beidseitig	394
AFFC08, Raster 1.00mm, LIF, SMD, vertikal, Kontakte beidseitig	396
AFFC09, Raster 1.00mm, LIF, DIP, vertikal, Kontakte beidseitig	398
AFFC09, Raster 1.00mm, LIF, DIP, horizontal, Kontakte beidseitig	399
AFFC10, Raster 1.00mm, ZIF, DIP, horizontal, Kontakte obenliegend	400
AFFC10, Raster 1.00mm, ZIF, DIP, horizontal, Kontakte untenliegend	401
AFFC10, Raster 1.00mm, ZIF, DIP, vertikal Kontakte einseitig	402
AFFC10, Raster 1.00mm, ZIF, SMD, vertikal Kontakte einseitig	403
AFFC16, Raster 1.00mm, LIF, DIP, horizontal, Kontakte obenliegend	405
AFFC16, Raster 1.00mm, LIF, DIP, horizontal, Kontakte untenliegend	406
AFFC16, Raster 1.00mm, LIF, DIP, horizontal, Kontakte einseitig	407
AFFC16, Raster 1.00mm, LIF, SMD, vertikal, Kontakte einseitig	408
AFFC01, Raster 1.25mm, ZIF, DIP, vertikal, Kontakte einseitig	410
AFFC01, Raster 1.25mm, ZIF, DIP, horizontal, Kontakte obenliegend	411
AFFC12, Raster 1.25mm, LIF, DIP, vertikal, Kontakte einseitig	412
AFFC12, Raster 1.25mm, LIF, DIP, horizontal, Kontakte obenliegend	413
AFFC14, Raster 2.54mm, LIF, DIP, vertikal, Kontakte einseitig	414
AFFC14, Raster 2.54mm, LIF, DIP, horizontal Kontakte obenliegend	415

Product description

page

AFFC30, pitch 0.30mm, ZIF, SMD, horizontal, bottomside contacts	374
AFFC25, pitch 0.50mm, ZIF, SMD, horizontal, bottomside contacts	376
AFFC20, pitch 0.50mm, ZIF, SMD, horizontal, bottomside contacts	378
AFFC20, pitch 0.50mm, ZIF, SMD, horizontal, topside contacts	380
AFFC20, pitch 0.50mm, ZIF, SMD, vertical, single sided contacts	382
AFFC23, pitch 0.50mm, ZIF, SMD, horizontal, bottomside contacts	384
AFFC23, pitch 0.50mm, ZIF, SMD, horizontal, topside contacts	386
AFFC25, pitch 1.00mm, ZIF, SMD, horizontal, bottomside contacts	388
AFFC07, pitch 1.00mm, ZIF, SMD, horizontal, bottomside contacts	390
AFFC07, pitch 1.00mm, ZIF, SMD, horizontal, topside contacts	392
AFFC08, pitch 1.00mm, LIF, SMD, horizontal, double sided contacts	394
AFFC08, pitch 1.00mm, LIF, SMD, vertical, double sided contacts	396
AFFC09, pitch 1.00mm, LIF, DIP, vertical, double sided contacts	398
AFFC09, pitch 1.00mm, LIF, DIP, horizontal, double sided contacts	399
AFFC10, pitch 1.00mm, ZIF, DIP, horizontal, topside contacts	400
AFFC10, pitch 1.00mm, ZIF, DIP, horizontal, bottomside contacts	401
AFFC10, pitch 1.00mm, ZIF, DIP, vertical, single sided contacts	402
AFFC10, pitch 1.00mm, ZIF, SMD, vertical, single sided contacts	403
AFFC16, pitch 1.00mm, LIF, DIP, horizontal, topside contacts	405
AFFC16, pitch 1.00mm, LIF, DIP, vertical, bottomside contacts	406
AFFC16, pitch 1.00mm, LIF, DIP, vertical, single sided contacts	407
AFFC16, pitch 1.00mm, LIF, SMD, vertical, single sided contacts	408
AFFC01, pitch 1.25mm, ZIF, DIP, vertical, single sided contacts	410
AFFC01, pitch 1.25mm, ZIF, DIP, horizontal, topside contacts	411
AFFC12, pitch 1.25mm, LIF, DIP, vertical, single sided contacts	412
AFFC12, pitch 1.25mm, LIF, DIP, horizontal, topside contacts	413
AFFC14, pitch 2.54mm, LIF, DIP, vertical, single sided contacts	414
AFFC14, pitch 2.54mm, LIF, DIP, horizontal, topside contacts	415



Cable assemblies

D-Sub / Hoods Centronics

Multiflex - DIN41651

Modular

USB IEEE1394

Switches

Powercards Powerinlets

DIN41612 Hardmetric

MiniDIN

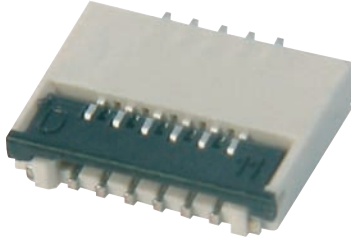
Sockets / Strips Jumper

Terminal Blocks

Memory Card

FFC / FPC

One touch lock



Isolierkörpermaterial
Nylon, UL94V-0

Kontaktmaterial
Phosphorbronze

Kontaktoberfläche
Ni, Sn

Kontaktwiderstand
30mΩ max

Isolationswiderstand
50MΩ min

Strombelastbarkeit
0.3A

Betriebstemperatur
-25°C - +85°C

Betriebsspannung
50V AC

Prüfspannung
250V AC

Verpackung
Rollenverpackung oder Stangenverpackung

Insulator material
Nylon, UL94V-0

Contact material
Phosphor bronze

Plating
Ni, Sn

Contact resistance
30mΩ max

Insulation resistance
50MΩ min

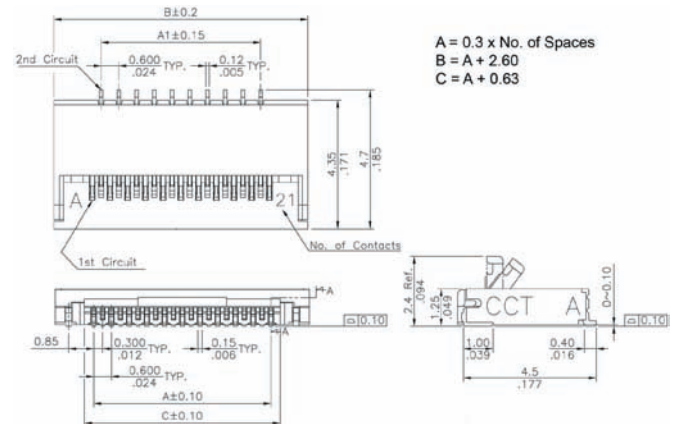
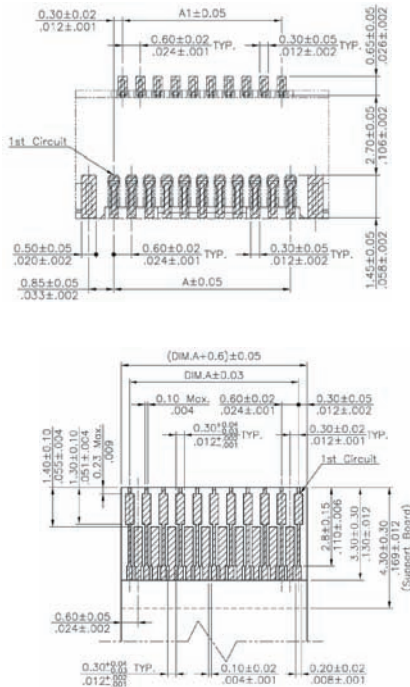
Current rating
0.3A

Operating temperature
-25°C - +85°C

Operating voltage
50V AC

Test voltage
250V AC

Packing
Reel packing or Tube packing



A = 0.3 x No. of Spaces
 B = A + 2.60
 C = A + 0.63

Bestellcode / Ordercode

Polzahlen

No. of contacts

06 - 30

06 - 30

Raster

Pitch

030 - 0.30mm

030 - 0.30mm

SHB - SMD, horizontal,
Kontakte untenliegend

SHB - SMD, horizontal,
bottomside contacts

Verpackung

Packing

T - Stange

T - Tube

R - Rolle

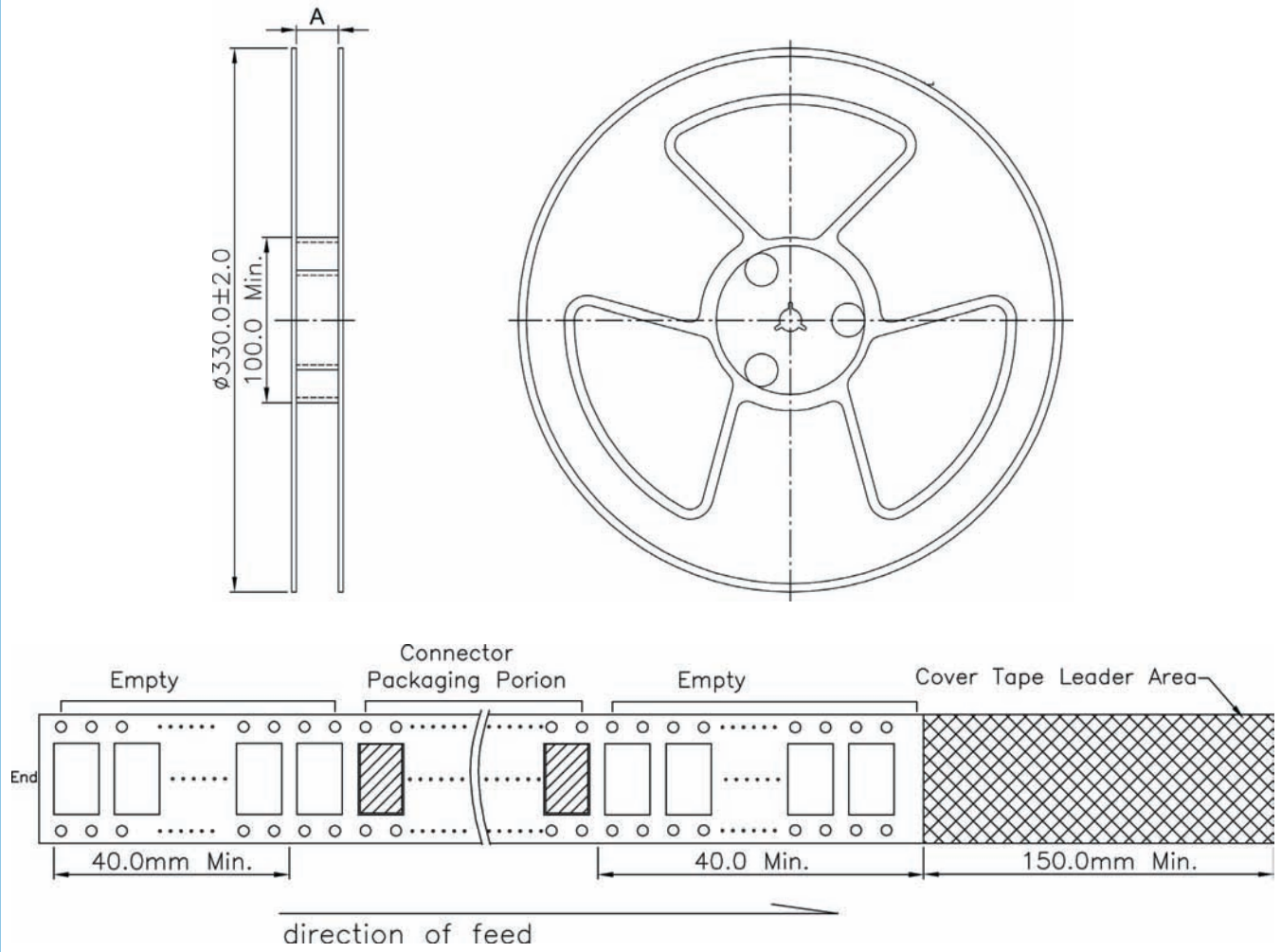
R - Reel

AFFC30 **xx** - **030** - **SHB** - **x**

Bitte „x“ durch die geeignete Option ersetzen
 Please replace „x“ with appropriate option

Verpackung entspricht
EIA-481-C.

Packing correspond with
EIA-481-C.



No. of contacts	A	Qty per Reel
04	16.40	1500
05 - 12	24.40	1500
13 - 16	32.40	1500
17 - 27	44.40	1500
28 - 30	56.40	1500

Cable
assemblies

D-Sub / Hoods
Centronics

Multiflex -
DIN41651

Modular

USB
IEEE1394

Switches

Powercards
Powerinlets

DIN41612
Hardmetric

MiniDIN

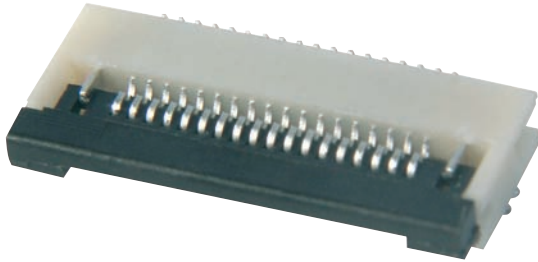
Sockets / Strips
Jumper

Terminal Blocks

Memory Card

FPC / FPC

One touch lock



Isolierkörpermaterial

Nylon, UL94V-0

Kontaktmaterial

Phosphorbronze

Kontaktoberfläche

Ni, Sn

Kontaktwiderstand

30mΩ max

Isolationswiderstand

100MΩ min

Strombelastbarkeit

0.4A

Betriebstemperatur

-25°C - +85°C

Betriebsspannung

50V AC

Prüfspannung

250V AC

Verpackung

Rollenverpackung oder Stangenverpackung

Insulator material

Nylon, UL94V-0

Contact material

Phosphor bronze

Plating

Ni, Sn

Contact resistance

30mΩ max

Insulation resistance

100MΩ min

Current rating

0.4A

Operating temperature

-25°C - +85°C

Operating voltage

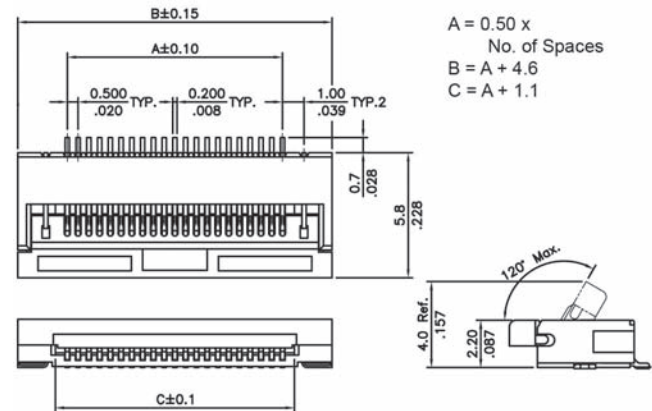
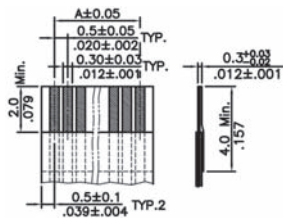
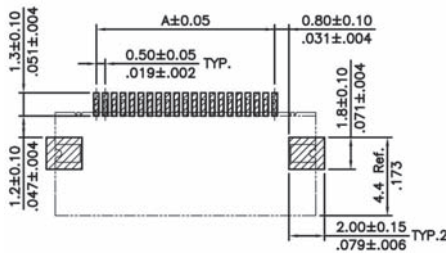
50V AC

Test voltage

250V AC

Packing

Reel packing or Tube packing



A = 0.50 x No. of Spaces
 B = A + 4.6
 C = A + 1.1

Bestellcode / Ordercode

Polzahlen

08 - 65

No. of contacts

08 - 65

Raster

050 - 0.50mm

Pitch

050 - 0.50mm

SHB - SMD, horizontal,
Kontakte untenliegend

SHB - SMD, horizontal,
bottomside contacts

Verpackung

T - Stange
 R - Rolle

Packing

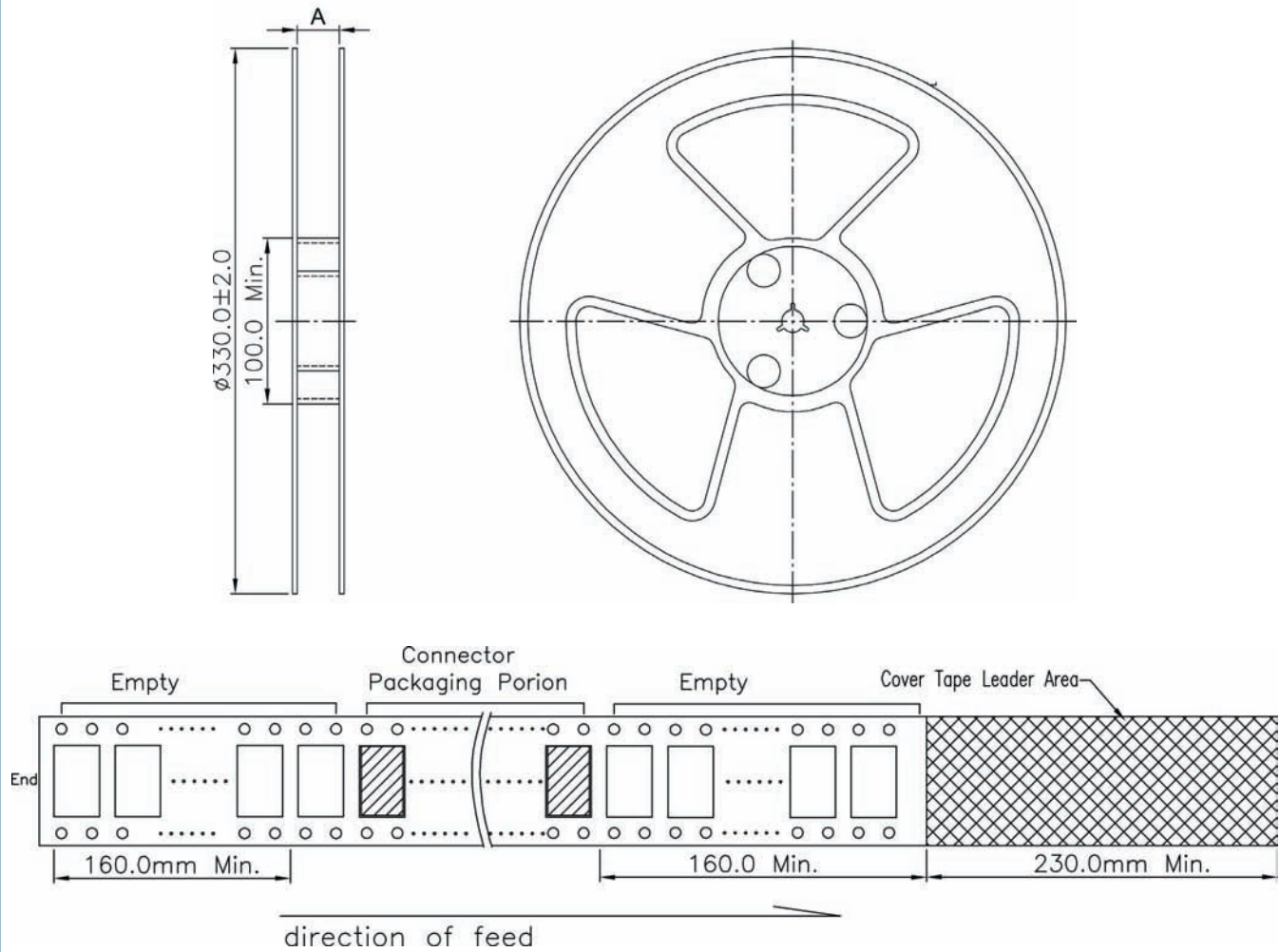
T - Tube
 R - Reel

AFFC25 **xx** - **050** - **SHB** - **x**

Bitte „x“ durch die geeignete Option ersetzen
 Please replace „x“ with appropriate option

Verpackung entspricht
EIA-481-C.

Packing correspond with
EIA-481-C.



No. of contacts	A	Qty per Reel
08 - 09	16.5	2000
10 - 23	24.5	2000
24 - 37	32.5	2000
38 - 61	44.5	2000
62 - 65	56.5	2000

Cable
assemblies

D-Sub / Hoods
Centronics

Multiflex -
DIN41651

Modular

USB
IEEE1394

Switches

Powercards
Powerinlets

DIN41612
Hardmetric

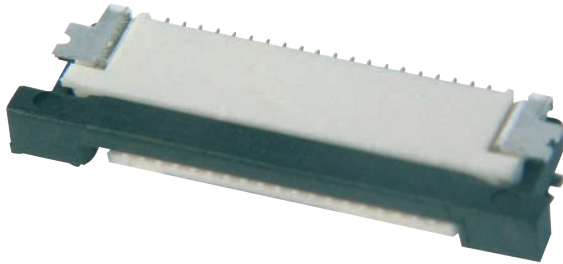
MiniDIN

Sockets / Strips
Jumper

Terminal Blocks

Memory Card

FFC / FPC



Isolierkörpermaterial
Nylon, UL94V-0

Kontaktmaterial
Phosphorbronze

Kontaktoberfläche
Ni, Sn

Kontaktwiderstand
30mΩ max

Isolationswiderstand
100MΩ min

Strombelastbarkeit
0.4A

Betriebstemperatur
-25°C - +85°C

Betriebsspannung
50V AC

Prüfspannung
250V AC

Verpackung
Rollenverpackung oder Stangenverpackung

Insulator material
Nylon, UL94V-0

Contact material
Phosphor bronze

Plating
Ni, Sn

Contact resistance
30mΩ max

Insulation resistance
100MΩ min

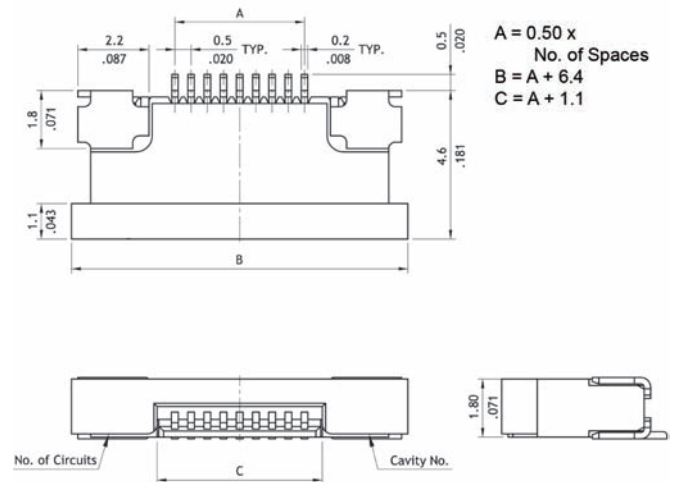
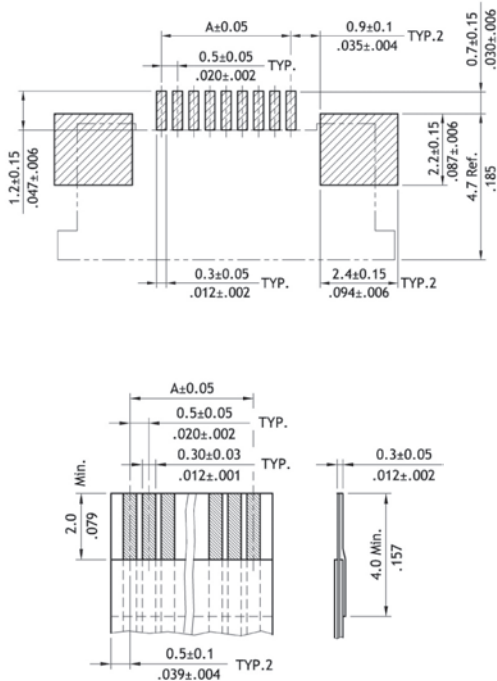
Current rating
0.4A

Operating temperature
-25°C - +85°C

Operating voltage
50V AC

Test voltage
250V AC

Packing
Reel packing or Tube packing



Bestellcode / Ordercode

Polzahlen

No. of contacts

06 - 50

06 - 50

Raster

Pitch

050 - 0.50mm

050 - 0.50mm

SHB - SMD, horizontal,
Kontakte untenliegend

SHB - SMD, horizontal,
bottomside contacts

Verpackung

Packing

T - Stange
R - Rolle

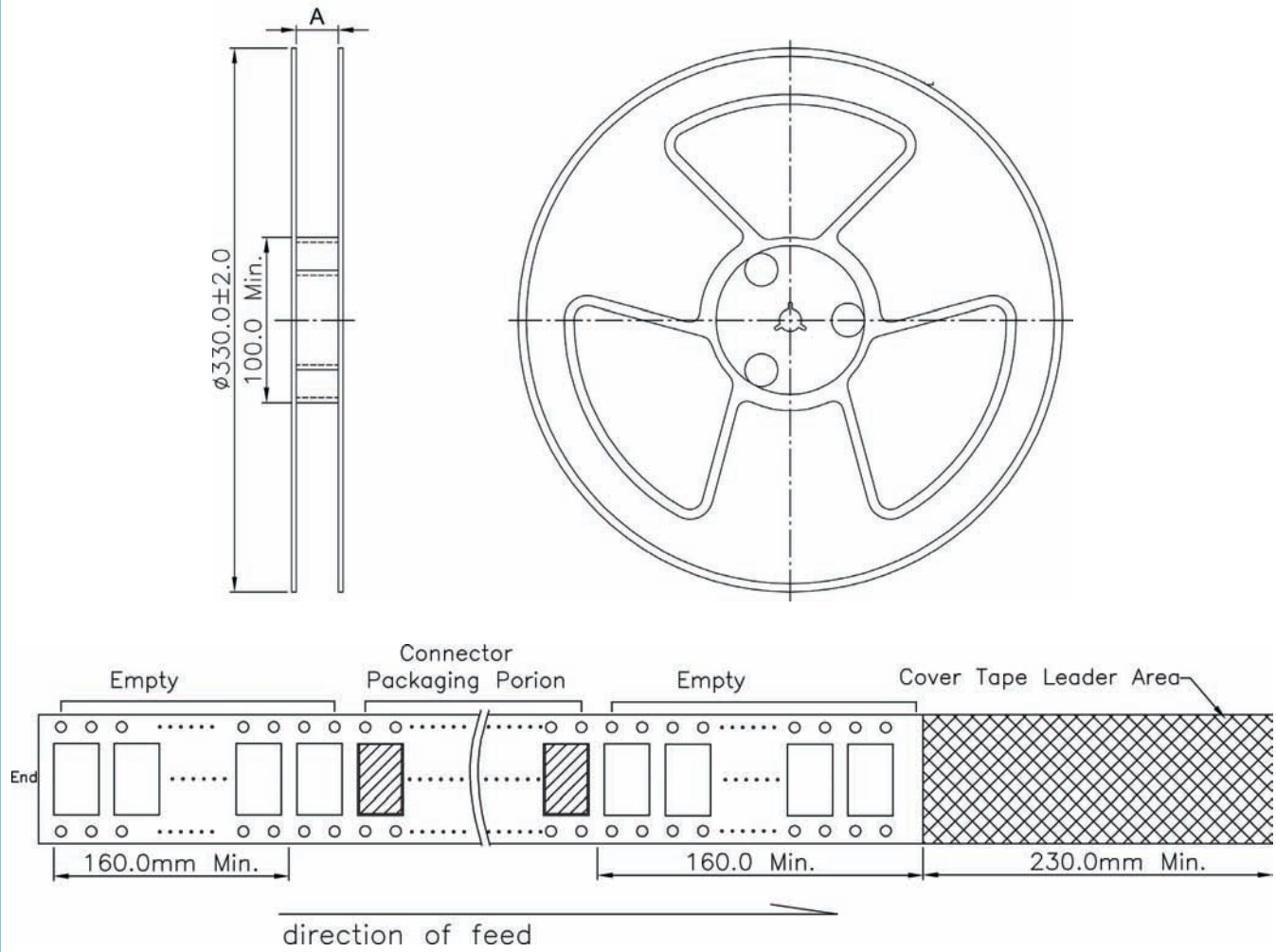
T - Tube
R - Reel

AFFC20 **xx** - **050** - **SHB** - **x**

Bitte „x“ durch die geeignete Option ersetzen
Please replace „x“ with appropriate option

Verpackung entspricht
EIA-481-C.

Packing correspond with
EIA-481-C.



No. of contacts	A	Qty per Reel
06 - 21	24.50	2000
22 - 31	32.50	2000
32 - 50	44.50	2000

Cable
assemblies

D-Sub / Hoods
Centronics

Multiflex -
DIN41651

Modular

USB
IEEE1394

Switches

Powercards
Powerinlets

DIN41612
Hardmetric

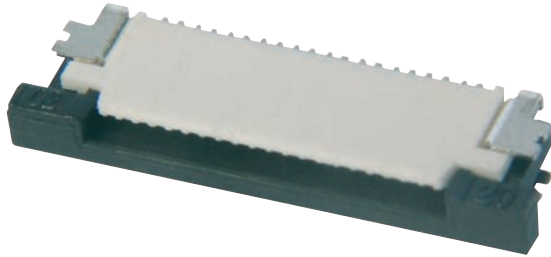
MiniDIN

Sockets / Strips
Jumper

Terminal Blocks

Memory Card

FFC / FPC



Isolierkörpermaterial
Nylon, UL94V-0

Kontaktmaterial
Phosphorbronze

Kontaktoberfläche
Ni, Sn

Kontaktwiderstand
30mΩ max

Isolationswiderstand
100MΩ min

Strombelastbarkeit
0.4A

Betriebstemperatur
-25°C - +85°C

Betriebsspannung
50V AC

Prüfspannung
250V AC

Verpackung
Rollenverpackung oder
Stangenverpackung

Insulator material
Nylon, UL94V-0

Contact material
Phosphor bronze

Plating
Ni, Sn

Contact resistance
30mΩ max

Insulation resistance
100MΩ min

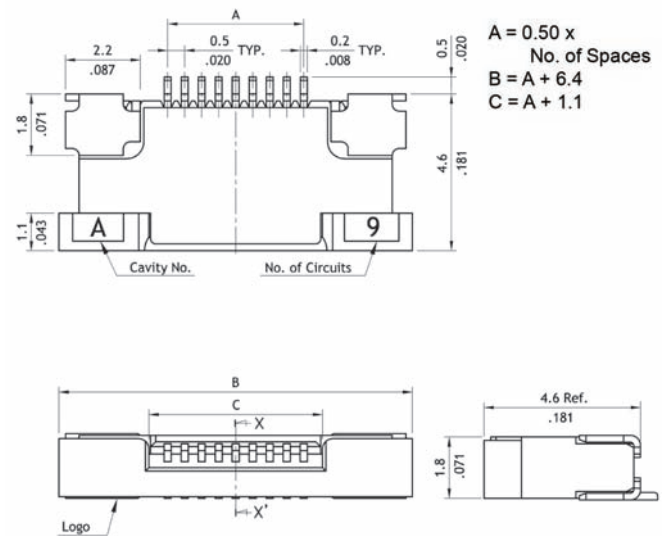
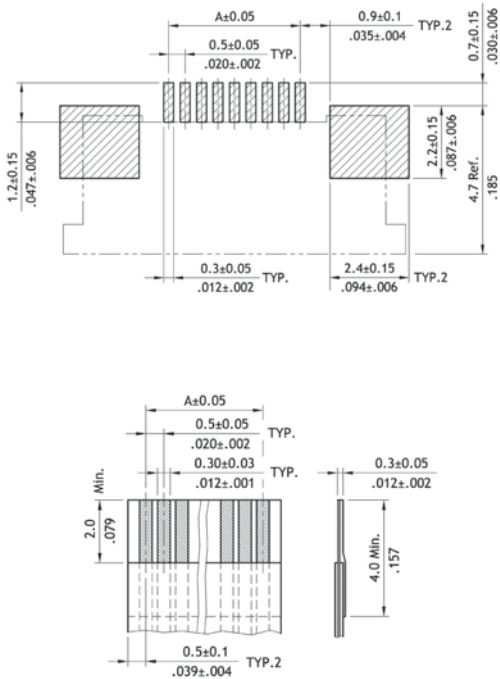
Current rating
0.4A

Operating temperature
-25°C - +85°C

Operating voltage
50V AC

Test voltage
250V AC

Packing
Reel packing or
Tube packing



Bestellcode / Ordercode

Polzahlen

06 - 50

No. of contacts

06 - 50

Raster

050 - 0.50mm

Pitch

050 - 0.50mm

**SHT - SMD, horizontal,
Kontakte obenliegend**

**SHB - SMD, horizontal,
topside contacts**

Verpackung

T - Stange
R - Rolle

Packing

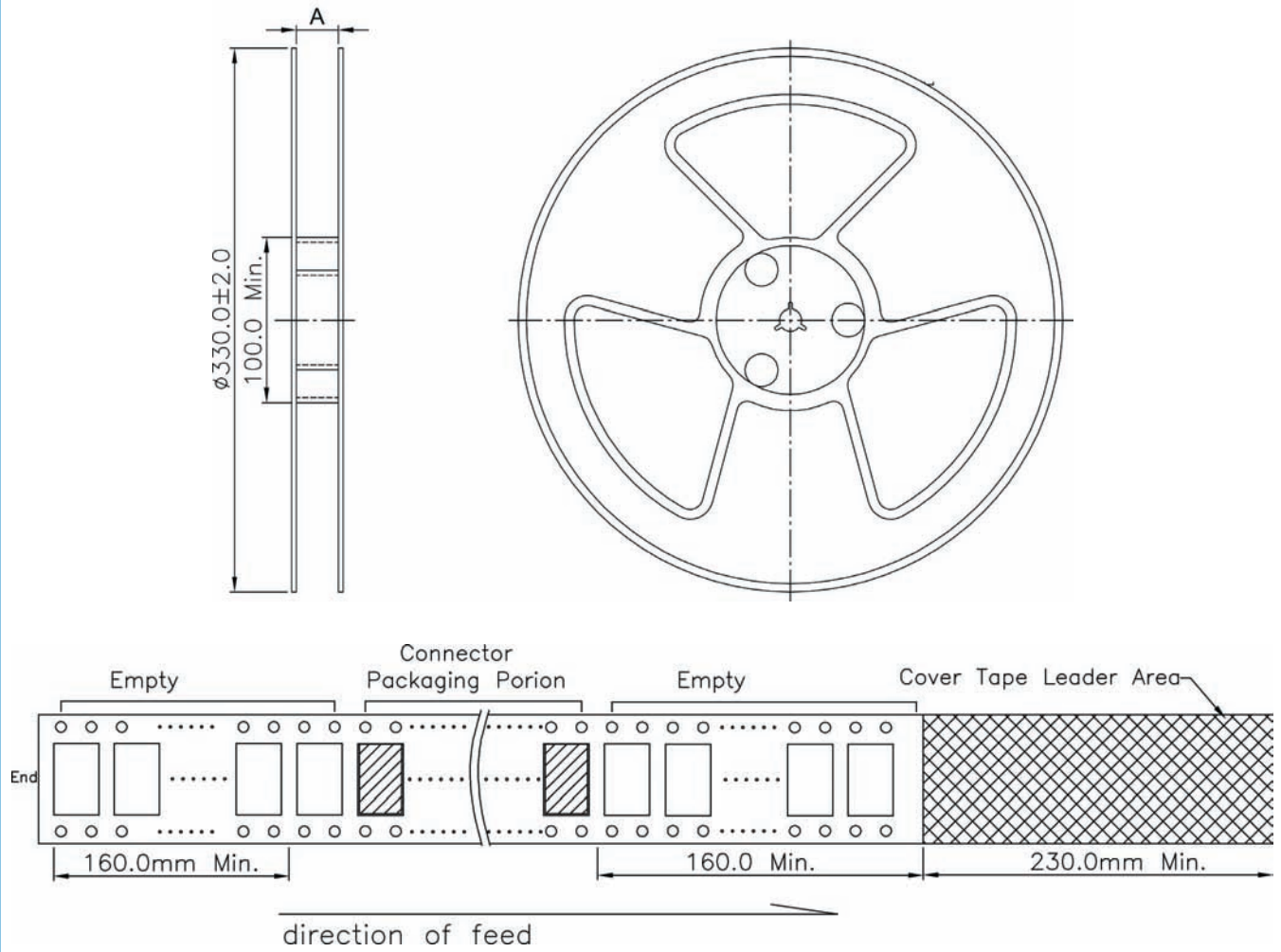
T - Tube
R - Reel

AFFC20 **xx** - **050** - **SHT** - **x**

Bitte „x“ durch die geeignete Option ersetzen
Please replace „x“ with appropriate option

Verpackung entspricht
EIA-481-C.

Packing correspond with
EIA-481-C.



No. of contacts	A	Qty per Reel
06 - 21	24.50	2000
22 - 31	32.50	2000
32 - 50	44.50	2000

Cable
assemblies

D-Sub / Hoods
Centronics

Multiflex -
DIN41651

Modular

USB
IEEE1394

Switches

Powercards
Powerinlets

DIN41612
Hardmetric

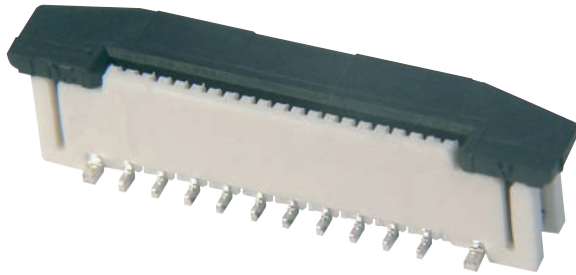
MiniDIN

Sockets / Strips
Jumper

Terminal Blocks

Memory Card

FPC / FPC



Isolierkörpermaterial
Nylon, UL94V-0

Kontaktmaterial
Phosphorbronze

Kontaktoberfläche
Ni, Sn

Kontaktwiderstand
30mΩ max

Isolationswiderstand
100MΩ min

Strombelastbarkeit
0.4A

Betriebstemperatur
-25°C - +85°C

Betriebsspannung
50V AC

Prüfspannung
250V AC

Verpackung
Rollenverpackung oder
Stangenverpackung

Insulator material
Nylon, UL94V-0

Contact material
Phosphor bronze

Plating
Ni, Sn

Contact resistance
30mΩ max

Insulation resistance
100MΩ min

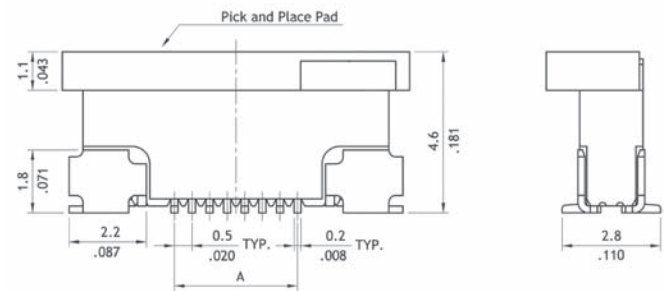
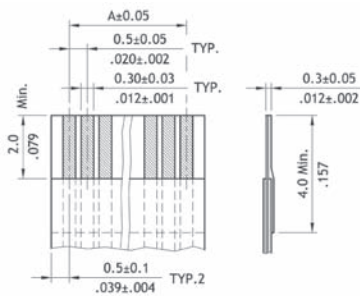
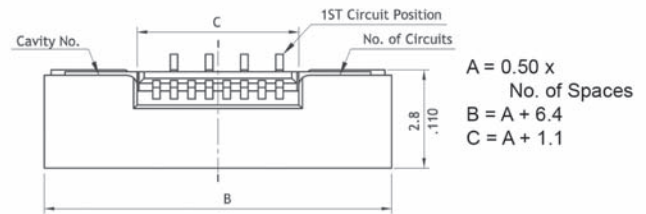
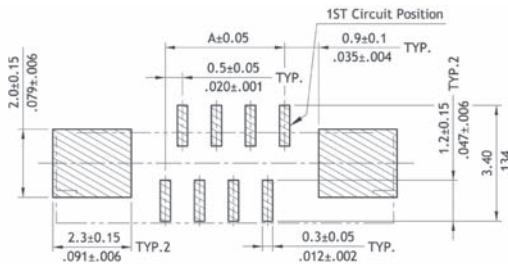
Current rating
0.4A

Operating temperature
-25°C - +85°C

Operating voltage
50V AC

Test voltage
250V AC

Packing
Reel packing or
Tube packing



Bestellcode / Ordercode

Polzahlen

No. of contacts

06 - 50

06 - 50

Raster

Pitch

050 - 0.50mm

050 - 0.50mm

SVS - SMD, vertikal,
Kontakte einseitig

SVS - SMD, verticall,
single sided contacts

Verpackung

Packing

T - Stange
R - Rolle

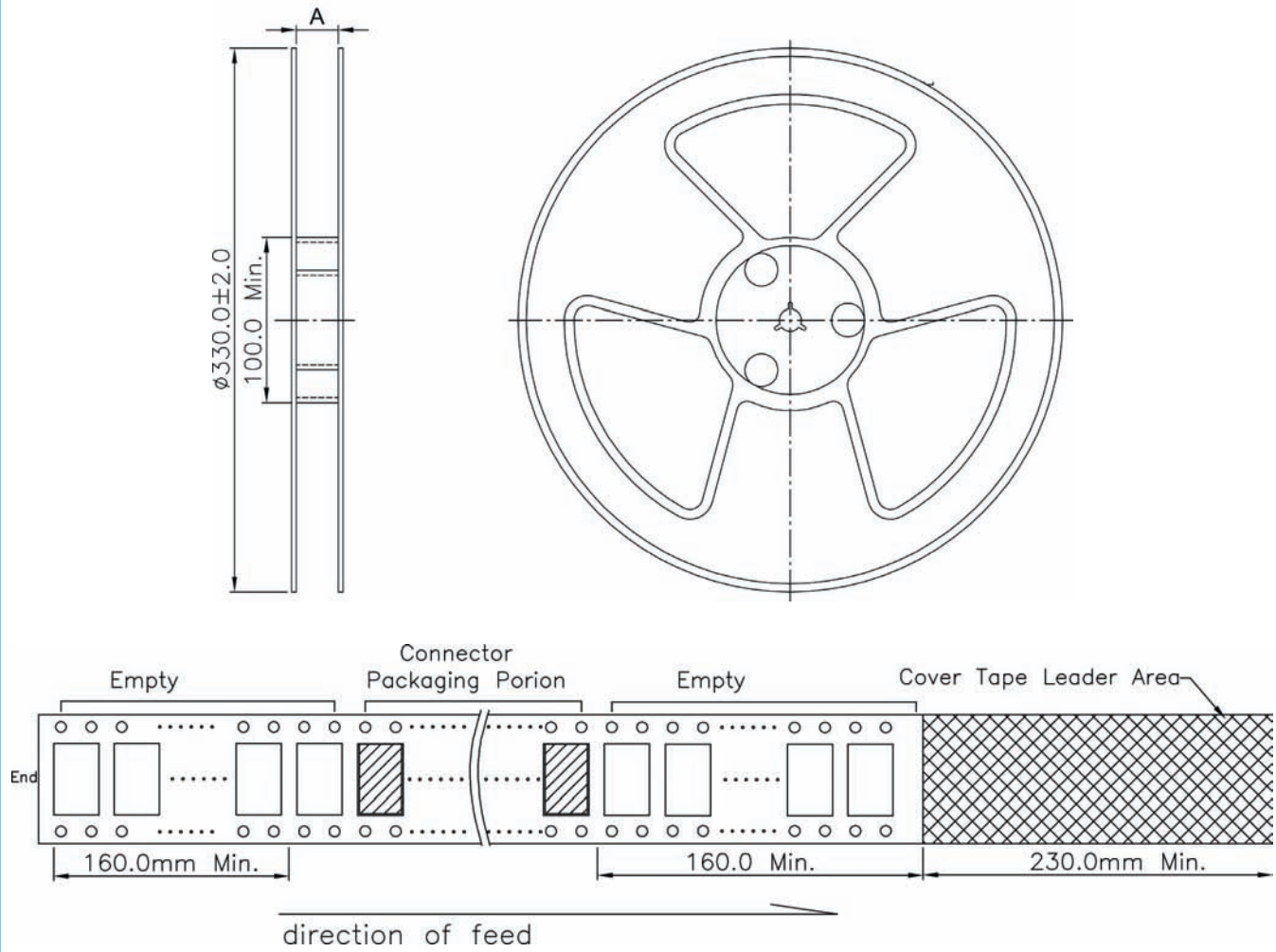
T - Tube
R - Reel

AFFC20 **xx** - **050** - **SVS** - **x**

Bitte „x“ durch die geeignete Option ersetzen
Please replace „x“ with appropriate option

Verpackung entspricht
EIA-481-C.

Packing correspond with
EIA-481-C.



No. of contacts	A	Qty per Reel
06 - 21	24.50	1000
22 - 31	32.50	1000
32 - 50	44.50	1000

Cable
assemblies

D-Sub / Hoods
Centronics

Multiflex -
DIN41651

Modular

USB
IEEE1394

Switches

Powercards
Powerinlets

DIN41612
Hardmetric

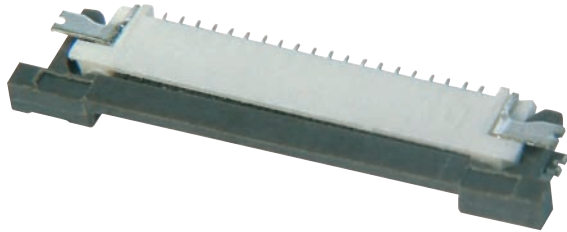
MiniDIN

Sockets / Strips
Jumper

Terminal Blocks

Memory Card

FFC / FPC



Isolierkörpermaterial
Nylon, UL94V-0

Kontaktmaterial
Phosphorbronze

Kontaktoberfläche
Ni, Sn

Kontaktwiderstand
30mΩ max

Isolationswiderstand
100MΩ min

Strombelastbarkeit
0.4A

Betriebstemperatur
-25°C - +85°C

Betriebsspannung
50V AC

Prüfspannung
250V AC

Verpackung
Rollenverpackung oder Stangenverpackung

Insulator material
Nylon, UL94V-0

Contact material
Phosphor bronze

Plating
Ni, Sn

Contact resistance
30mΩ max

Insulation resistance
100MΩ min

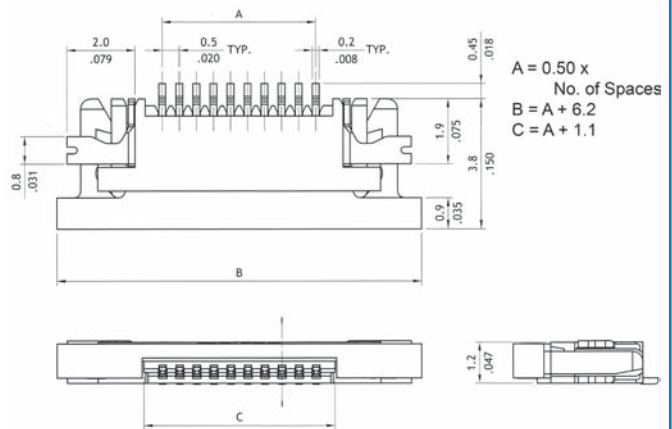
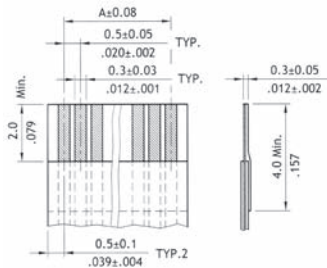
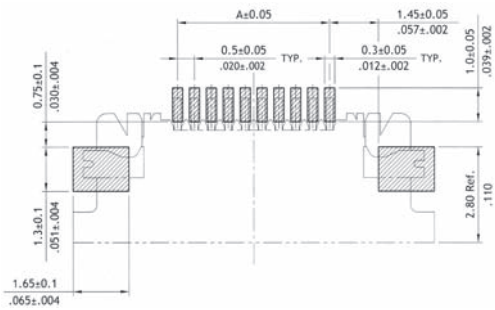
Current rating
0.4A

Operating temperature
-25°C - +85°C

Operating voltage
50V AC

Test voltage
250V AC

Packing
Reel packing or Tube packing



Bestellcode / Ordercode

Polzahlen

No. of contacts

06 - 33

06 - 33

Raster

Pitch

050 - 0.50mm

050 - 0.50mm

SHB - SMD, horizontal,
Kontakte untenliegend

SHB - SMD, horizontal,
bottomside contacts

Verpackung

Packing

T - Stange
R - Rolle

T - Tube
R - Reel

AFFC23 **xx** - **050** - **SHB** - **x**

Bitte „x“ durch die geeignete Option ersetzen
Please replace „x“ with appropriate option

Cable
assemblies

D-Sub / Hoods
Centronics

Multiflex -
DIN41651

Modular

USB
IEEE1394

Switches

Powercords
Powerlets

DIN41612
Hardmetric

MiniDIN

Sockets / Strips
Jumper

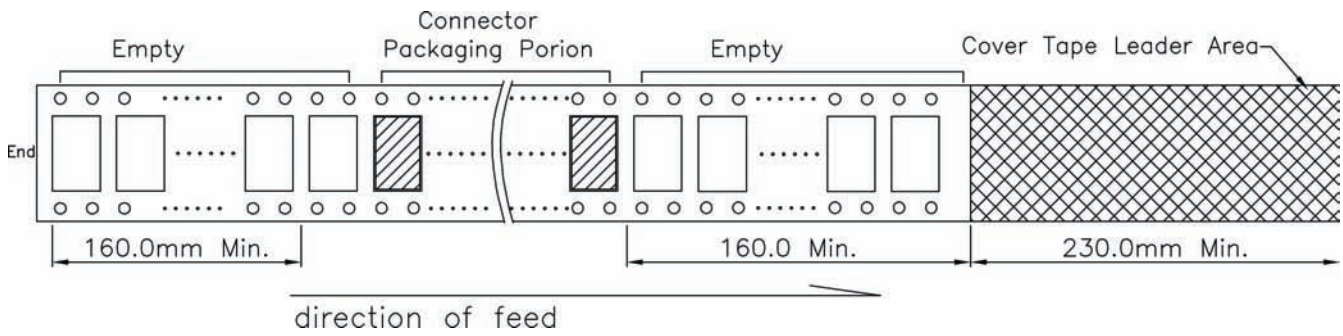
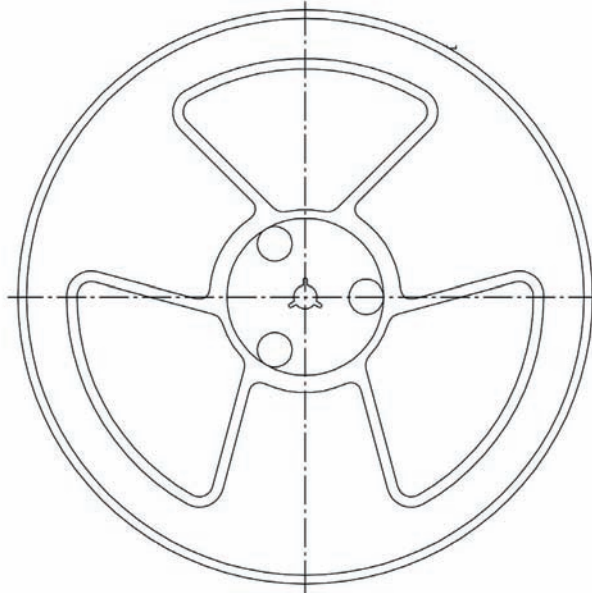
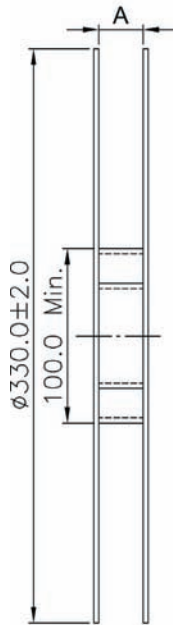
Terminal Blocks

Memory Card

FFC / FPC

Verpackung entspricht
EIA-481-C.

Packing correspond with
EIA-481-C.



No. of contacts	A	Qty per Reel
06 - 07	16.50	4000
08 - 22	24.50	4000
23 - 28	32.50	4000
30	32.50	4000
32 - 33	32.50	4000

Cable
assemblies

D-Sub / Hoods
Centronics

Multiflex -
DIN41651

Modular

USB
IEEE1394

Switches

Powercards
Powerinlets

DIN41612
Hardmetric

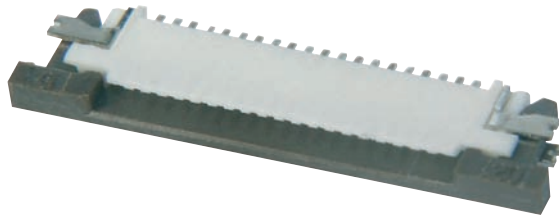
MiniDIN

Sockets / Strips
Jumper

Terminal Blocks

Memory Card

FPC / FPC



Isolierkörpermaterial
Nylon, UL94V-0

Kontaktmaterial
Phosphorbronze

Kontaktoberfläche
Ni, Sn

Kontaktwiderstand
30mΩ max

Isolationswiderstand
100MΩ min

Strombelastbarkeit
0.4A

Betriebstemperatur
-25°C - +85°C

Betriebsspannung
50V AC

Prüfspannung
250V AC

Verpackung
Rollenverpackung oder Stangenverpackung

Insulator material
Nylon, UL94V-0

Contact material
Phosphor bronze

Plating
Ni, Sn

Contact resistance
30mΩ max

Insulation resistance
100MΩ min

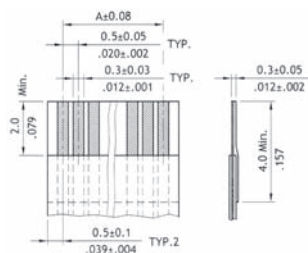
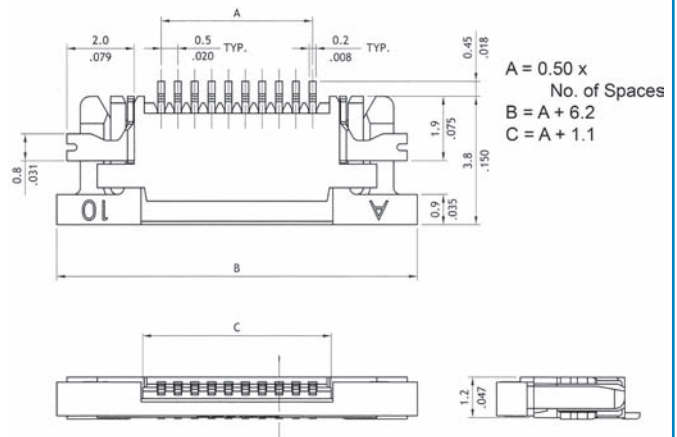
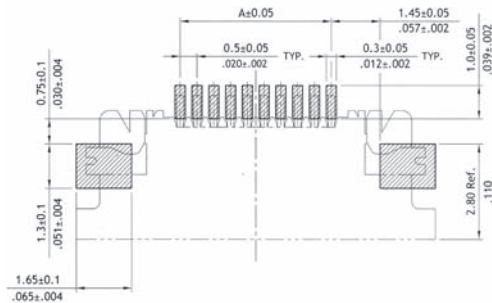
Current rating
0.4A

Operating temperature
-25°C - +85°C

Operating voltage
50V AC

Test voltage
250V AC

Packing
Reel packing or Tube packing



Bestellcode / Ordercode

Polzahlen

No. of contacts

06 - 33

06 - 33

Raster

Pitch

050 - 0.50mm

050 - 0.50mm

SHT - SMD, horizontal,
Kontakte obenliegend

SHT - SMD, horizontal,
topside contacts

Verpackung

Packing

T - Stange
R - Rolle

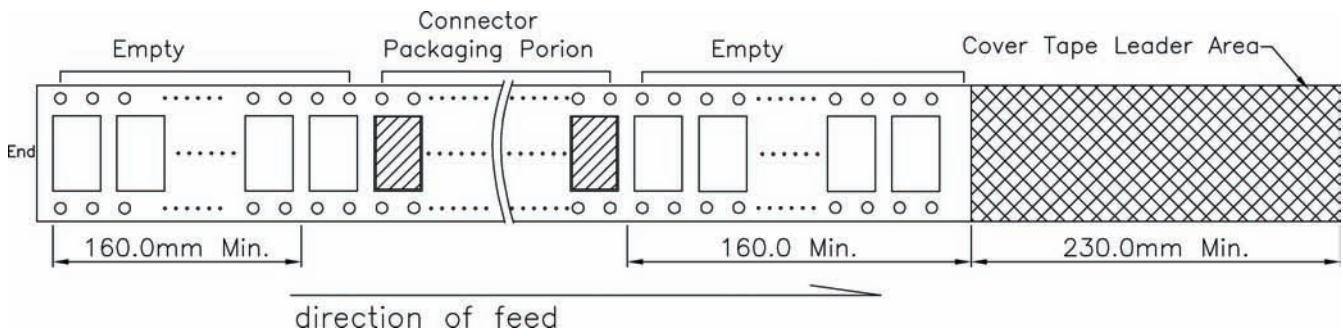
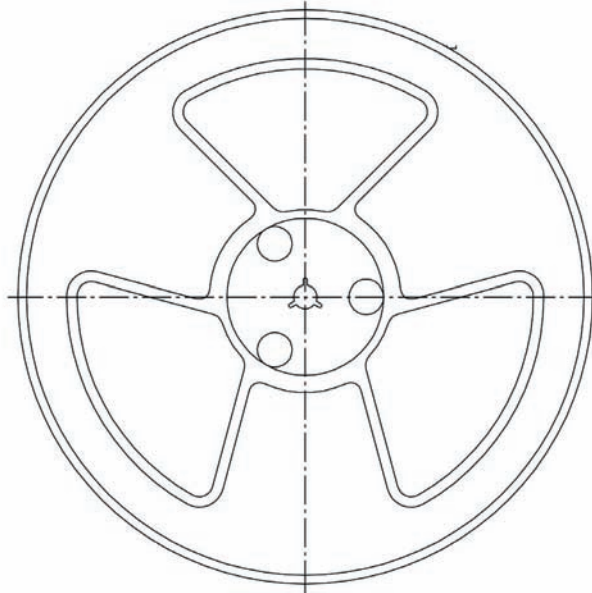
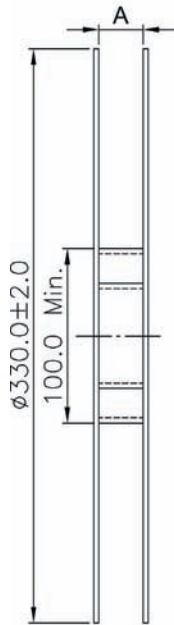
T - Tube
R - Reel

AFFC23 **xx** - **050** - **SHT** - **x**

Bitte „x“ durch die geeignete Option ersetzen
Please replace „x“ with appropriate option

Verpackung entspricht
EIA-481-C.

Packing correspond with
EIA-481-C.



No. of contacts	A	Qty per Reel
06 - 07	16.50	4000
08 - 22	24.50	4000
23 - 28	32.50	4000
30	32.50	4000
32 - 33	32.50	4000

Cable
assemblies

D-Sub / Hoods
Centronics

Multiflex -
DIN41651

Modular

USB
IEEE1394

Switches

Powercards
Powerinlets

DIN41612
Hardmetric

MiniDIN

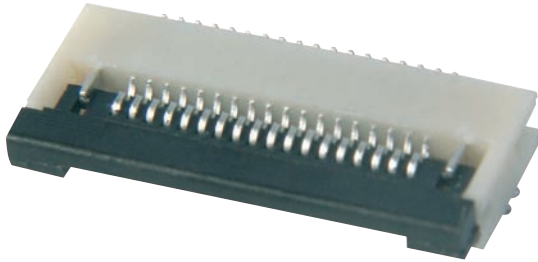
Sockets / Strips
Jumper

Terminal Blocks

Memory Card

FPC / FPC

One touch lock



Isolierkörpermaterial

Nylon, UL94V-0

Kontaktmaterial

Phosphorbronze

Kontaktoberfläche

Ni, Sn

Kontaktwiderstand

20mΩ max

Isolationswiderstand

500MΩ min

Strombelastbarkeit

1A

Betriebstemperatur

-25°C - +85°C

Betriebsspannung

100V AC

Prüfspannung

500V AC

Verpackung

Rollenverpackung oder Stangenverpackung

Insulator material

Nylon, UL94V-0

Contact material

Phosphor bronze

Plating

Ni, Sn

Contact resistance

20mΩ max

Insulation resistance

100MΩ min

Current rating

1A

Operating temperature

-25°C - +85°C

Operating voltage

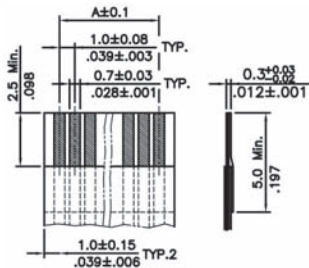
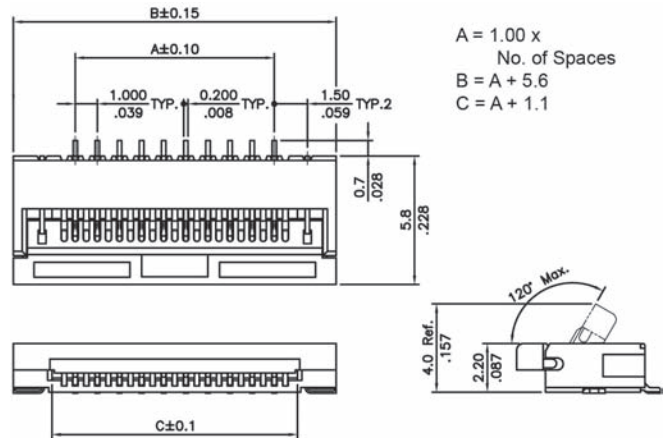
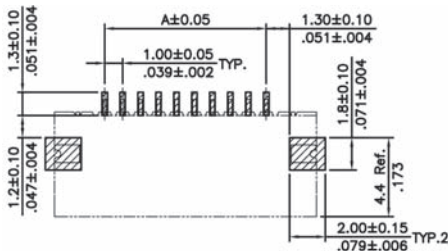
100V AC

Test voltage

500V AC

Packing

Reel packing or Tube packing



Bestellcode / Ordercode

Polzahlen

04 - 32

No. of contacts

04 - 32

Raster

100 - 1.00mm

Pitch

100 - 1.00mm

SHB - SMD, horizontal,
Kontakte untenliegend

SHB - SMD, horizontal,
bottomside contacts

Verpackung

T - Stange
R - Rolle

Packing

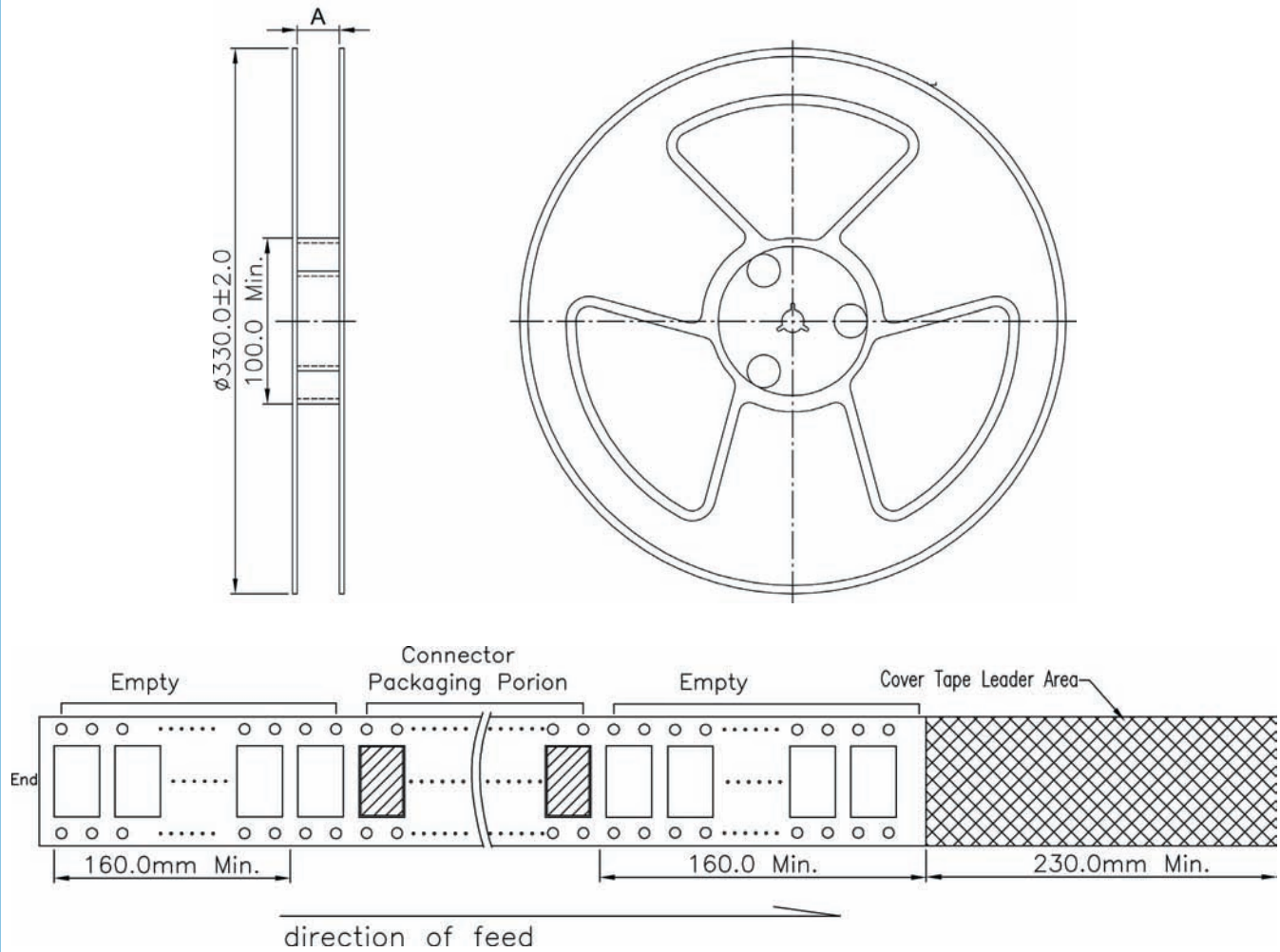
T - Tube
R - Reel

AFFC25 **xx** - **100** - **SHB** - **x**

Bitte „x“ durch die geeignete Option ersetzen
Please replace „x“ with appropriate option

Verpackung entspricht
EIA-481-C.

Packing correspond with
EIA-481-C.



No. of contacts	A	Qty per Reel
04	16.5	2000
05 - 11	24.5	2000
12 - 18	32.5	2000
19 - 30	44.5	2000
31 - 32	56.5	2000

Cable assemblies

D-Sub / Hoods
Centronics

Multiflex -
DIN41651

Modular

USB
IEEE1394

Switches

Powercards
Powerinlets

DIN41612
Hardmetric

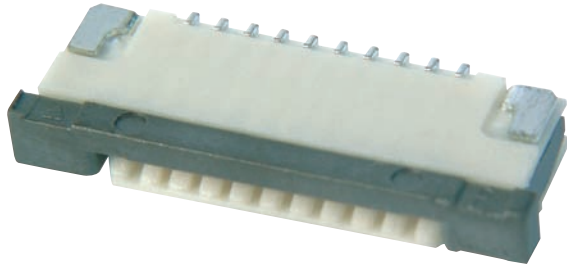
MiniDIN

Sockets / Strips
Jumper

Terminal Blocks

Memory Card

FFC / FPC



Isolierkörpermaterial
Nylon, UL94V-0

Kontaktmaterial
Phosphorbronze

Kontaktoberfläche
Ni, Sn

Kontaktwiderstand
20mΩ max

Isolationswiderstand
500MΩ min

Strombelastbarkeit
1A

Betriebstemperatur
-25°C - +85°C

Betriebsspannung
100V AC

Prüfspannung
500V AC

Verpackung
Rollenverpackung oder Stangenverpackung

Insulator material
Nylon, UL94V-0

Contact material
Phosphor bronze

Plating
Ni, Sn

Contact resistance
20mΩ max

Insulation resistance
100MΩ min

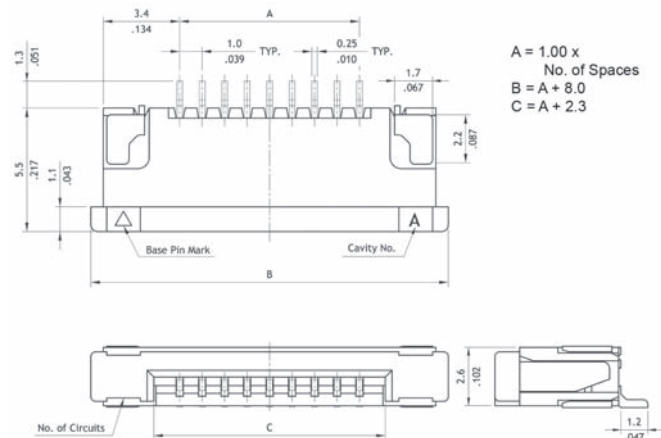
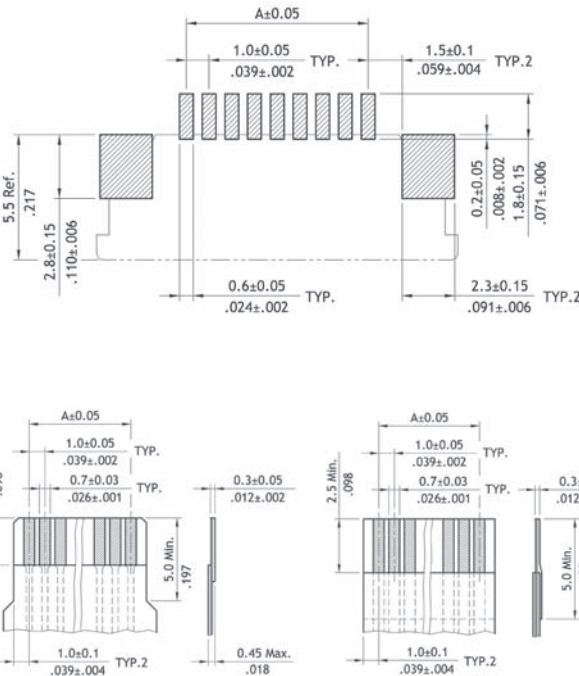
Current rating
1A

Operating temperature
-25°C - +85°C

Operating voltage
100V AC

Test voltage
500V AC

Packing
Reel packing or Tube packing



Bestellcode / Ordercode

Polzahlen

No. of contacts

04 - 32

04 - 32

Raster

Pitch

100 - 1.00mm

100 - 1.00mm

SHB - SMD, horizontal,
Kontakte untenliegend

SHB - SMD, horizontal,
bottomside contacts

Verpackung

Packing

T - Stange
R - Rolle

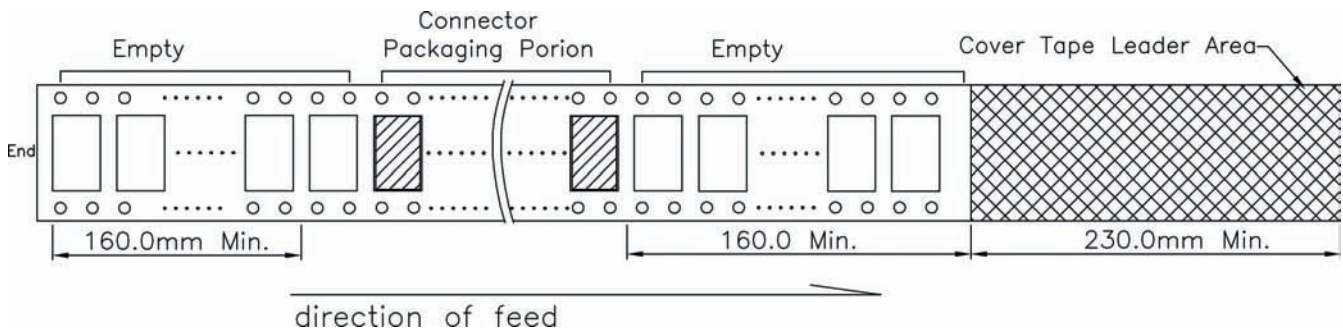
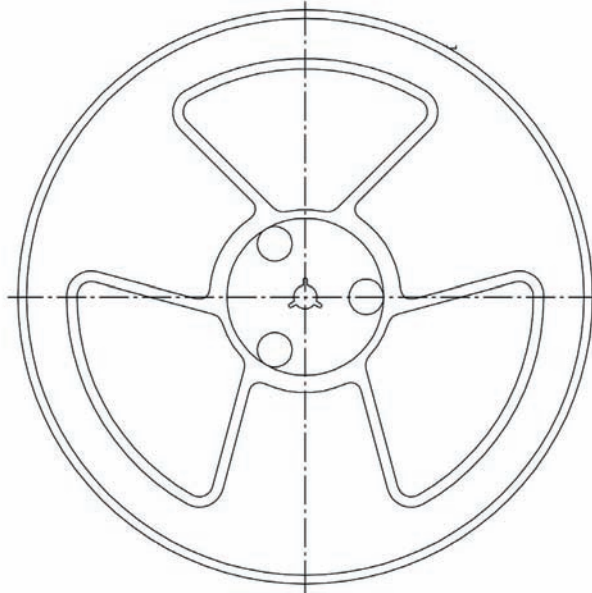
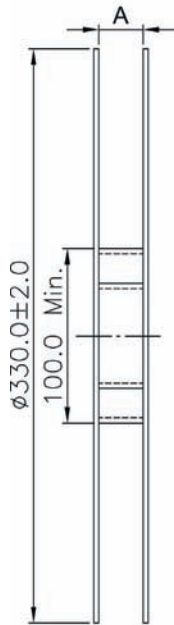
T - Tube
R - Reel

AFFC07 **xx** - **100** - **SHB** - **x**

Bitte „x“ durch die geeignete Option ersetzen
Please replace „x“ with appropriate option

Verpackung entspricht
EIA-481-C.

Packing correspond with
EIA-481-C.



No. of contacts	A	Qty per Reel
04 - 09	24.50	2000
10 - 14	32.50	2000
15 - 27	44.50	2000
28 - 32	56.50	2000

Cable
assemblies

D-Sub / Hoods
Centronics

Multiflex -
DIN41651

Modular

USB
IEEE1394

Switches

Powercards
Powerinlets

DIN41612
Hardmetric

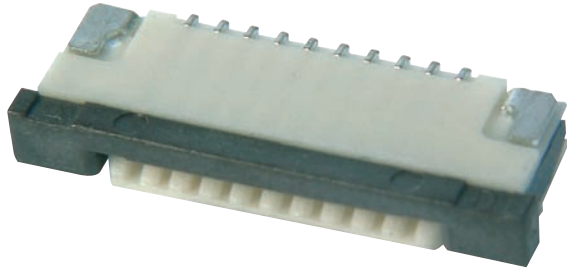
MiniDIN

Sockets / Strips
Jumper

Terminal Blocks

Memory Card

FFC / FPC



Isolierkörpermaterial
Nylon, UL94V-0

Kontaktmaterial
Phosphorbronze

Kontaktoberfläche
Ni, Sn

Kontaktwiderstand
20mΩ max

Isolationswiderstand
500MΩ min

Strombelastbarkeit
1A

Betriebstemperatur
-25°C - +85°C

Betriebsspannung
100V AC

Prüfspannung
500V AC

Verpackung
Rollenverpackung oder Stangenverpackung

Insulator material
Nylon, UL94V-0

Contact material
Phosphor bronze

Plating
Ni, Sn

Contact resistance
20mΩ max

Insulation resistance
100MΩ min

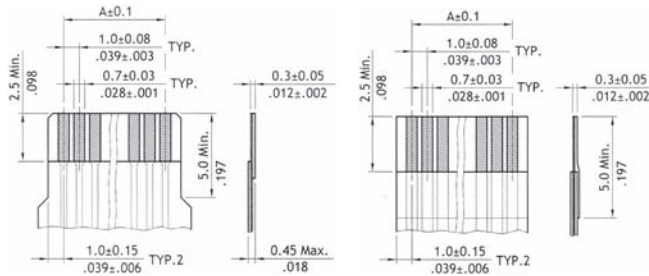
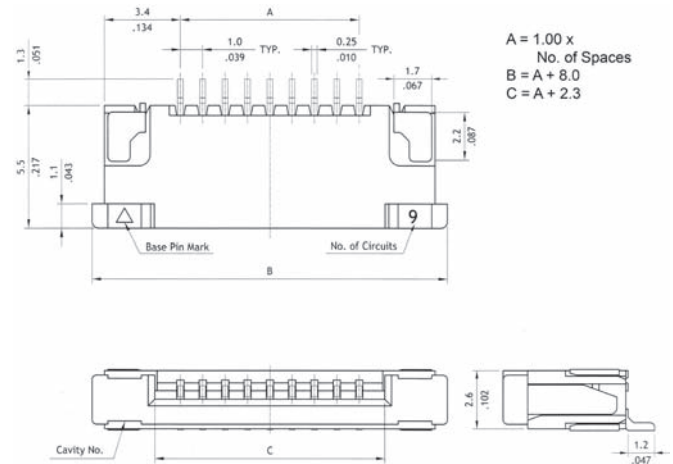
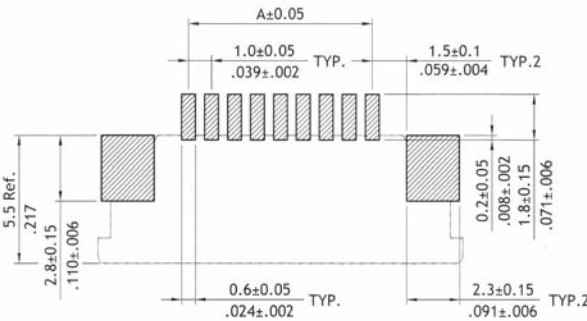
Current rating
1A

Operating temperature
-25°C - +85°C

Operating voltage
100V AC

Test voltage
500V AC

Packing
Reel packing or Tube packing



Bestellcode / Ordercode

Polzahlen

No. of contacts

04 - 32

04 - 32

Raster

Pitch

100 - 1.00mm

100 - 1.00mm

SHT - SMD, horizontal,
Kontakte obenliegend

SHT - SMD, horizontal,
topside contacts

Verpackung

Packing

T - Stange
R - Rolle

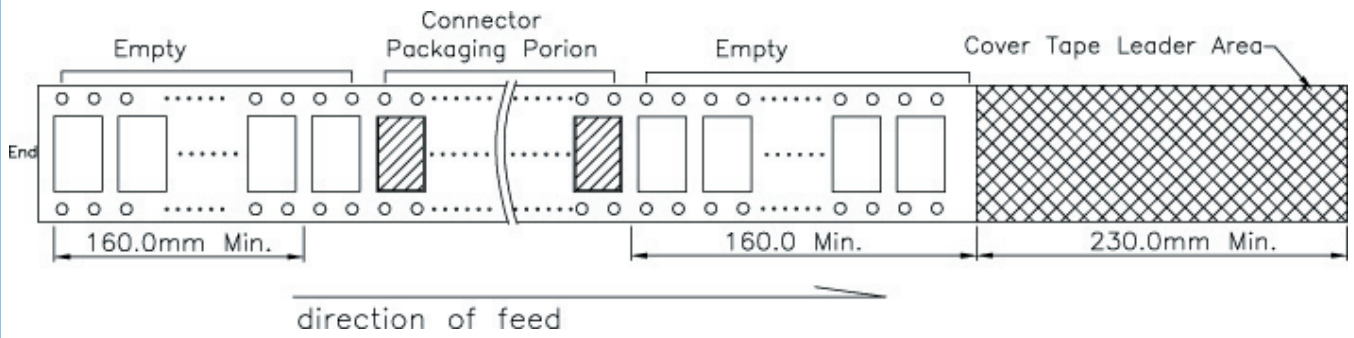
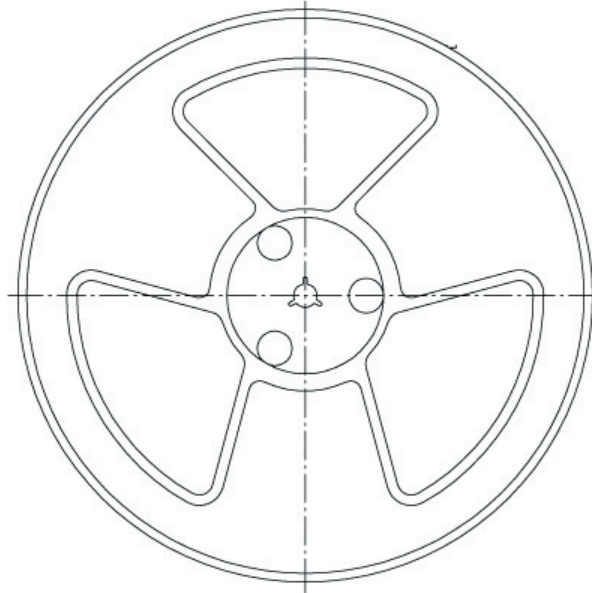
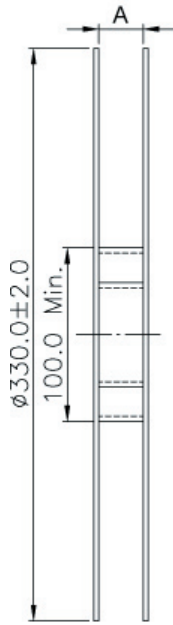
T - Tube
R - Reel

AFFC07 **xx** - **100** - **SHT** - **x**

Bitte „x“ durch die geeignete Option ersetzen
Please replace „x“ with appropriate option

Verpackung entspricht
EIA-481-C.

Packing correspond with
EIA-481-C.



No. of contacts	A	Qty per Reel
04 - 09	24.50	2000
10 - 14	32.50	2000
15 - 27	44.50	2000
28 - 32	56.50	2000

Cable
assemblies

D-Sub / Hoods
Centronics

Multiflex -
DIN41651

Modular

USB
IEEE1394

Switches

Powercards
Powerinlets

DIN41612
Hardmetric

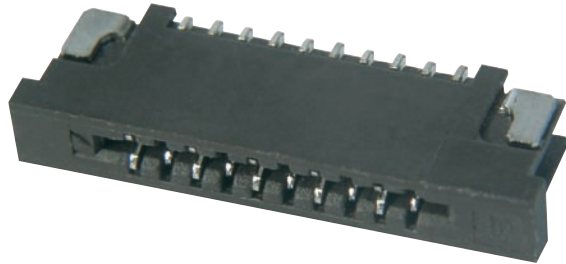
MiniDIN

Sockets / Strips
Jumper

Terminal Blocks

Memory Card

FPC / FPC



Isolierkörpermaterial
Nylon, UL94V-0

Kontaktmaterial
Phosphorbronze

Kontaktoberfläche
Ni, Sn

Kontaktwiderstand
20mΩ max

Isolationswiderstand
500MΩ min

Strombelastbarkeit
1A

Betriebstemperatur
-25°C - +85°C

Betriebsspannung
100V AC

Prüfspannung
500V AC

Verpackung
Rollenverpackung oder
Stangenverpackung

Insulator material
Nylon, UL94V-0

Contact material
Phosphor bronze

Plating
Ni, Sn

Contact resistance
20mΩ max

Insulation resistance
100MΩ min

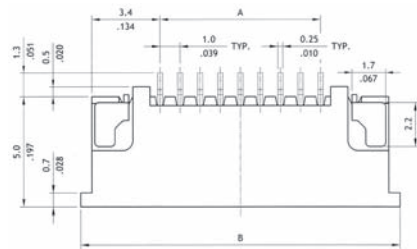
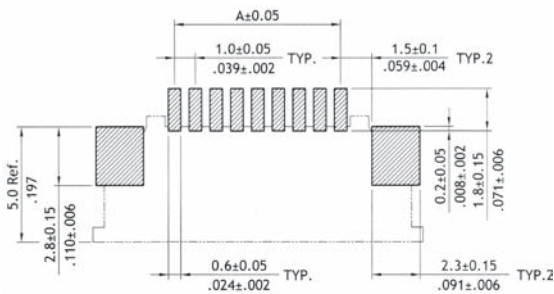
Current rating
1A

Operating temperature
-25°C - +85°C

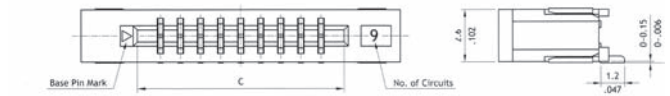
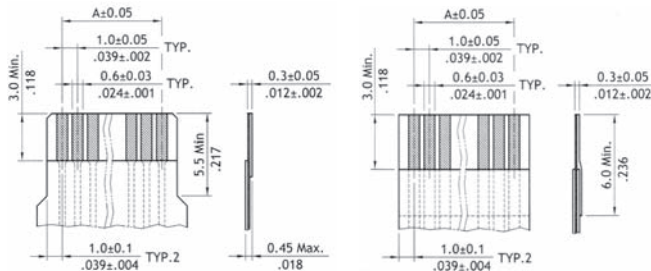
Operating voltage
100V AC

Test voltage
500V AC

Packing
Reel packing or
Tube packing



A = 1.00 x
No. of Spaces
B = A + 8.0
C = A + 2.3



Bestellcode / Ordercode

Polzahlen

04 - 32

No. of contacts

04 - 32

Raster

100 - 1.00mm

Pitch

100 - 1.00mm

SHD - SMD, horizontal,
Kontakte beidseitig

SHD - SMD, horizontal,
double sided contacts

Verpackung

T - Stange
R - Rolle

Packing

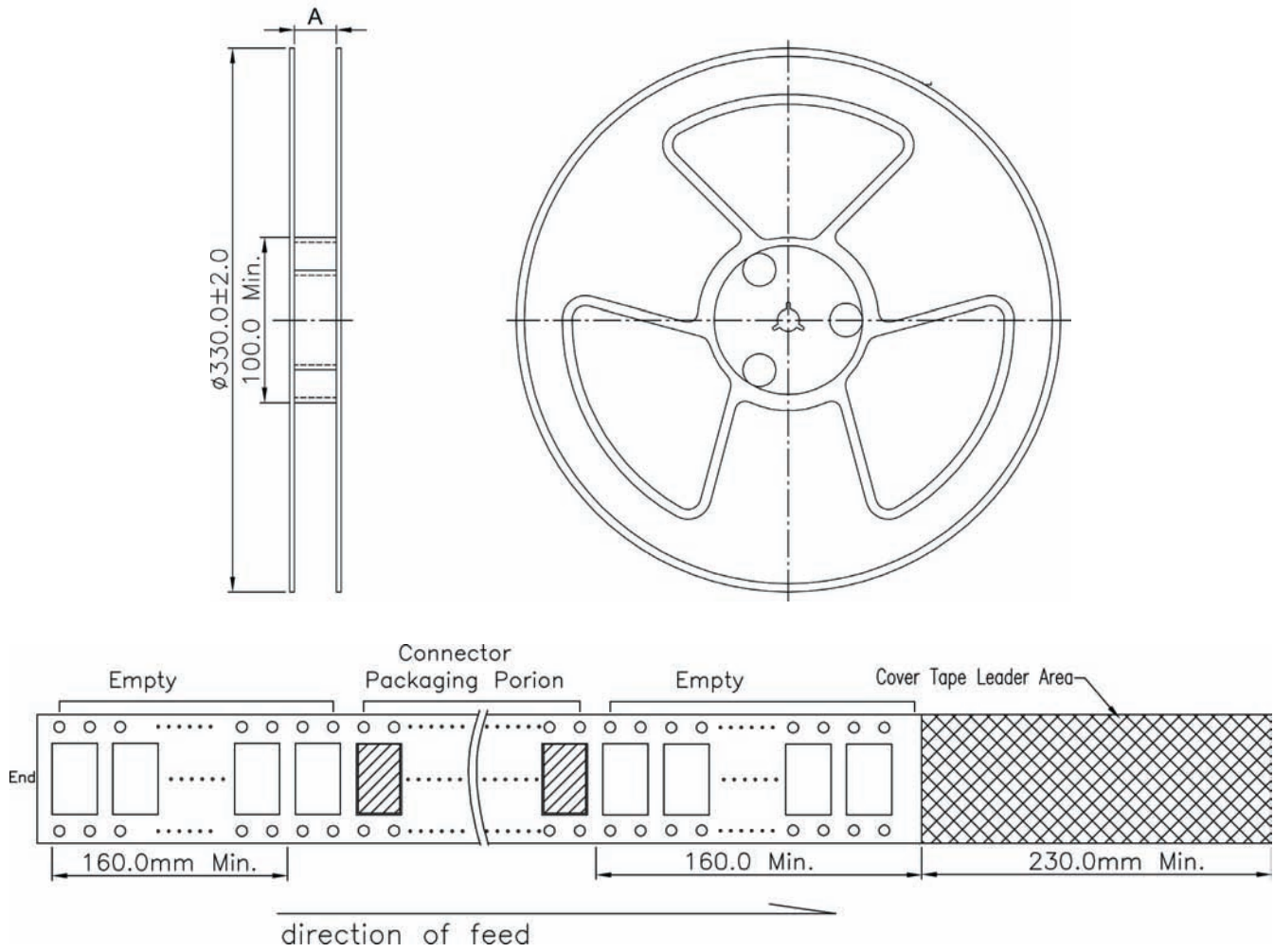
T - Tube
R - Reel

AFFC08 **xx** - **100** - **SHD** - **x**

Bitte „x“ durch die geeignete Option ersetzen
Please replace „x“ with appropriate option

Verpackung entspricht
EIA-481-C.

Packing correspond with
EIA-481-C.



No. of contacts	A	Qty per Reel
04 - 11	24.5	2000
12 - 15	32.5	2000
16 - 26	44.5	2000
27 - 32	56.5	2000

Cable
assemblies

D-Sub / Hoods
Centronics

Multiflex -
DIN41651

Modular

USB
IEEE1394

Switches

Powercards
Powerinlets

DIN41612
Hardmetric

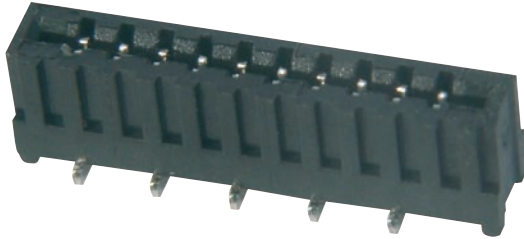
MiniDIN

Sockets / Strips
Jumper

Terminal Blocks

Memory Card

FFC / FPC



Isolierkörpermaterial
Nylon, UL94V-0

Kontaktmaterial
Phosphorbronze

Kontaktoberfläche
Ni, Sn

Kontaktwiderstand
20mΩ max

Isolationswiderstand
500MΩ min

Strombelastbarkeit
1A

Betriebstemperatur
-25°C - +85°C

Betriebsspannung
100V AC

Prüfspannung
500V AC

Verpackung
Rollverpackung oder
Stangenverpackung

Insulator material
Nylon, UL94V-0

Contact material
Phosphor bronze

Plating
Ni, Sn

Contact resistance
20mΩ max

Insulation resistance
100MΩ min

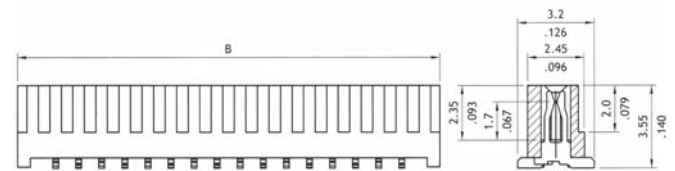
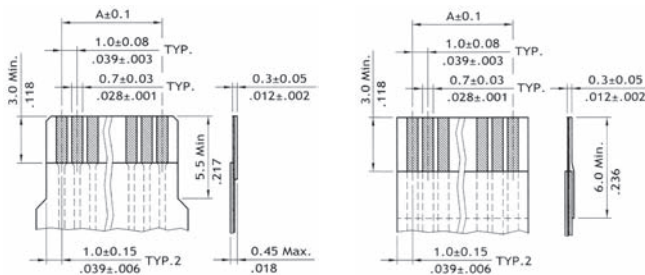
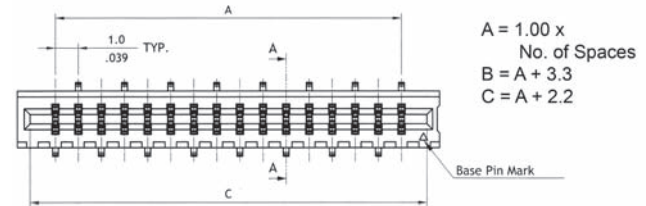
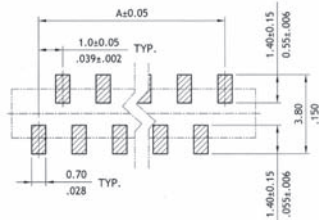
Current rating
1A

Operating temperature
-25°C - +85°C

Operating voltage
100V AC

Test voltage
500V AC

Packing
Reel packing or
Tube packing



Bestellcode / Ordercode

Polzahlen

No. of contacts

04 - 32

04 - 32

Raster

Pitch

100 - 1.00mm

100 - 1.00mm

SVD - SMD, vertikal,
Kontakte beidseitig

SVD - SMD, vertical,
double sided contacts

Verpackung

Packing

T - Stange
R - Rolle

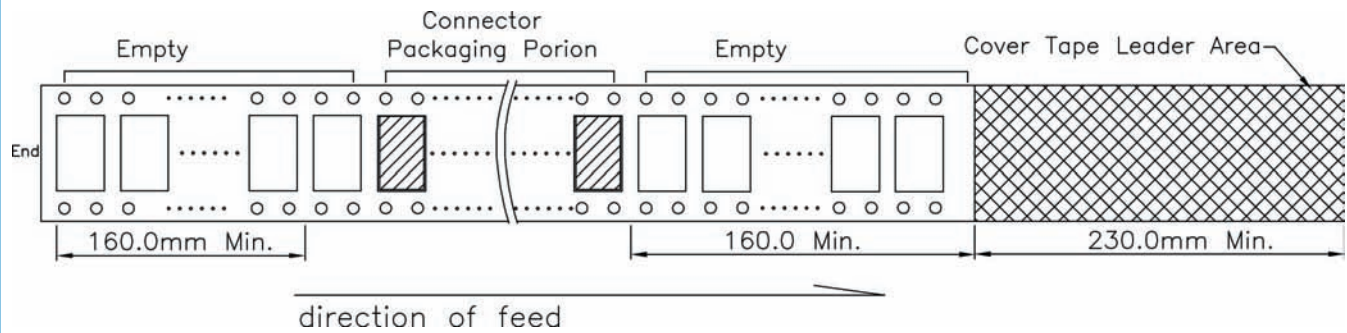
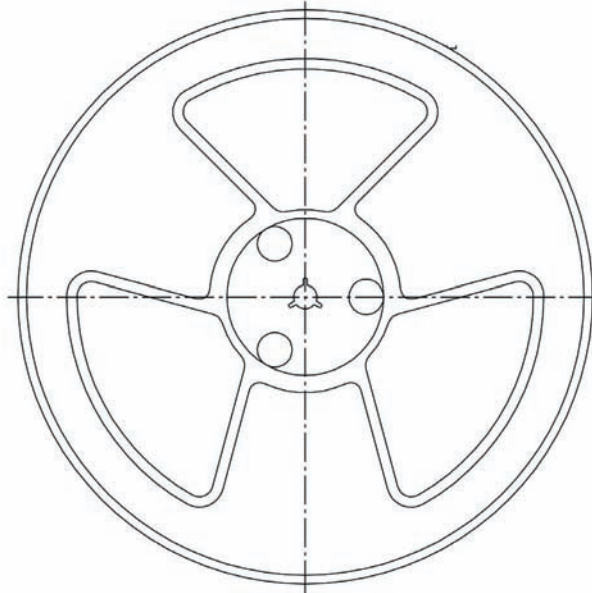
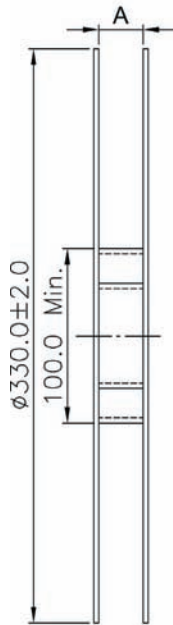
T - Tube
R - Reel

AFFC08 **xx** - **100** - **SVD** - **x**

Bitte „x“ durch die geeignete Option ersetzen
Please replace „x“ with appropriate option

Verpackung entspricht
EIA-481-C.

Packing correspond with
EIA-481-C.



No. of contacts	A	Qty per Reel
04 - 05	16.5	1500
06 - 12	24.5	1500
13 - 17	32.5	1500
18 - 29	44.5	1500
30 - 32	56.5	1500

Cable
assemblies

D-Sub / Hoods
Centronics

Multiflex -
DIN41651

Modular

USB
IEEE1394

Switches

Powercards
Powerinlets

DIN41612
Hardmetric

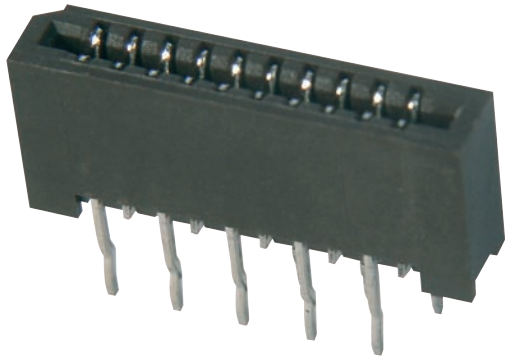
MiniDIN

Sockets / Strips
Jumper

Terminal Blocks

Memory Card

FFC / FPC



Isolierkörpermaterial
Nylon, UL94V-0

Kontaktmaterial
Phosphorbronze

Kontaktoberfläche
Ni, Sn

Kontaktwiderstand
20mΩ max

Isolationswiderstand
500MΩ min

Strombelastbarkeit
1A

Betriebstemperatur
-25°C - +85°C

Betriebsspannung
100V AC

Prüfspannung
500V AC

Verpackung
Stangenverpackung

Insulator material
Nylon, UL94V-0

Contact material
Phosphor bronze

Plating
Ni, Sn

Contact resistance
20mΩ max

Insulation resistance
100MΩ min

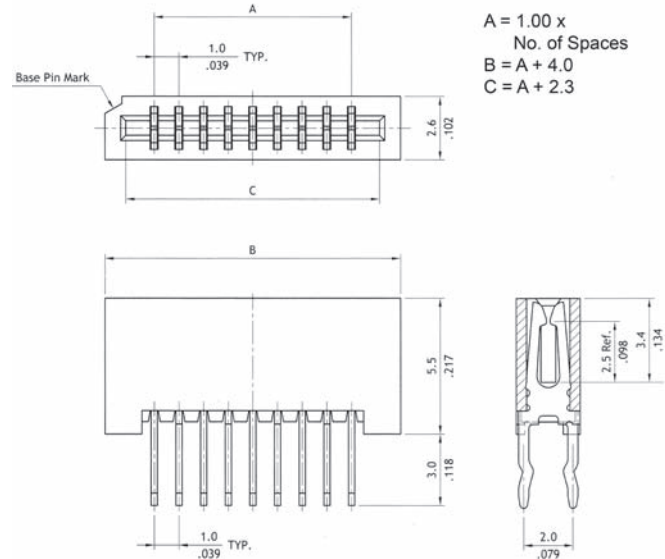
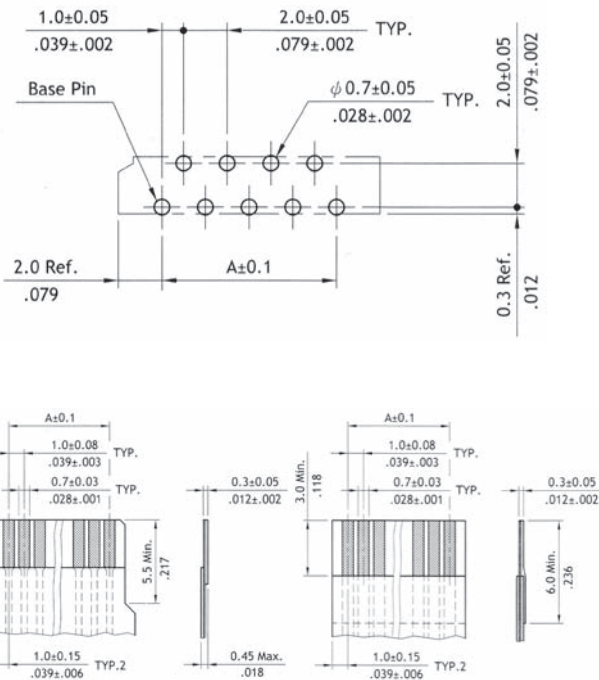
Current rating
1A

Operating temperature
-25°C - +85°C

Operating voltage
100V AC

Test voltage
500V AC

Packing
Tube packing



Bestellcode / Ordercode

Polzahlen

No. of contacts

04 - 32

04 - 32

Raster

Pitch

100 - 1.00mm

100 - 1.00mm

TVD - DIP, vertikal,
Kontakte beidseitig

TVD - DIP, vertical,
double sided contacts

Verpackung

Packing

T - Stange

T - Tube

AFFC09 **xx** - **100** - **TVD** - **x**

Bitte „x“ durch die geeignete Option ersetzen
Please replace „x“ with appropriate option

- Cable assemblies
- D-Sub / Hoods Centronics
- Multiflex - DIN41651
- Modular
- USB IEEE1394
- Switches
- Powercords Powerlets
- DIN41612 Hardmetric
- MiniDIN
- Sockets / Strips Jumper
- Terminal Blocks
- Memory Card
- FFC / FPC

Isolierkörpermaterial
Nylon, UL94V-0

Kontaktmaterial
Phosphorbronze

Kontaktoberfläche
Ni, Sn

Kontaktwiderstand
20mΩ max

Isolationswiderstand
500MΩ min

Strombelastbarkeit
1A

Betriebstemperatur
-25°C - +85°C

Betriebsspannung
100V AC

Prüfspannung
500V AC

Verpackung
Stangenverpackung

Insulator material
Nylon, UL94V-0

Contact material
Phosphor bronze

Plating
Ni, Sn

Contact resistance
20mΩ max

Insulation resistance
100MΩ min

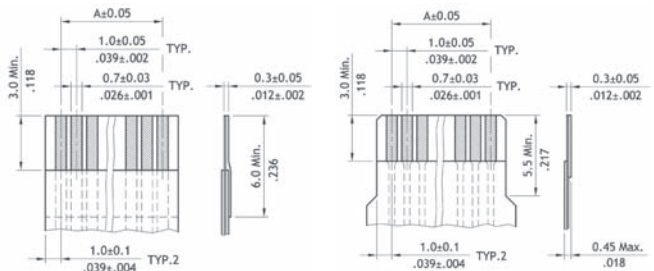
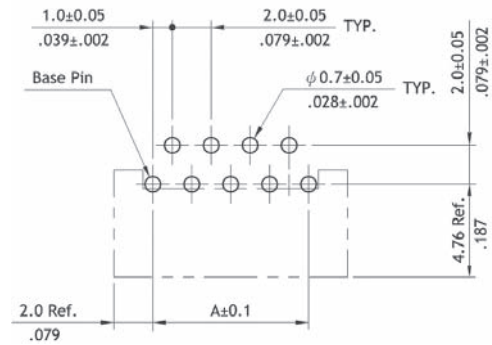
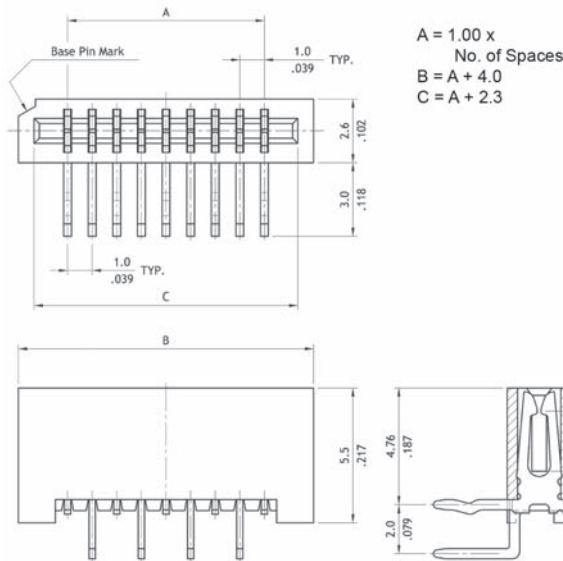
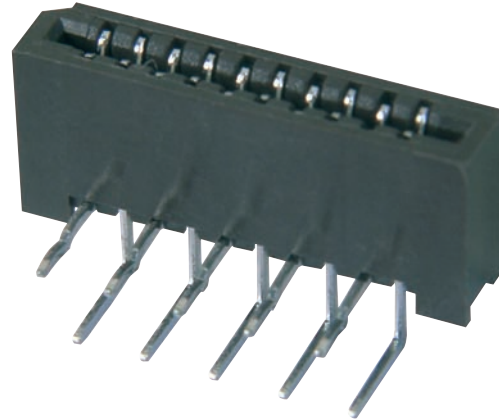
Current rating
1A

Operating temperature
-25°C - +85°C

Operating voltage
100V AC

Test voltage
500V AC

Packing
Tube packing



Bestellcode / Ordercode

Polzahlen
04 - 32

No. of contacts
04 - 32

Raster
100 - 1.00mm

Pitch
100 - 1.00mm

TVD - DIP, horizontal,
Kontakte beidseitig

TVD - DIP, horizontal,
double sided contacts

Verpackung
T - Stange

Packing
T - Tube

AFFC09 **xx** - **100** - **THD** - **x**

Bitte „x“ durch die geeignete Option ersetzen
 Please replace „x“ with appropriate option

Cable
assemblies

D-Sub / Hoods
Centronics

Multiflex -
DIN41651

Modular

USB
IEEE1394

Switches

Powercords
Powerinlets

DIN41612
Hardmetric

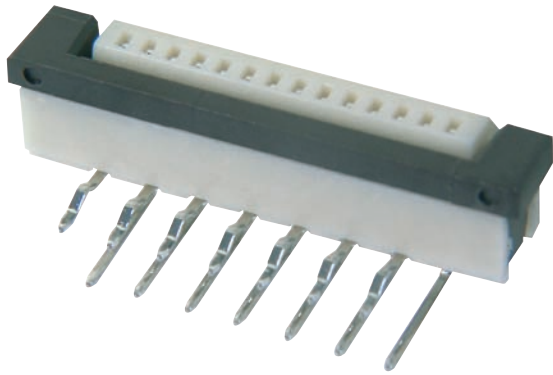
MiniDIN

Sockets / Strips
Jumper

Terminal Blocks

Memory Card

FFC / FPC



Isolierkörpermaterial
Nylon, UL94V-0

Kontaktmaterial
Phosphorbronze

Kontaktoberfläche
Ni, Sn

Kontaktwiderstand
20mΩ max

Isolationswiderstand
500MΩ min

Strombelastbarkeit
1A

Betriebstemperatur
-25°C - +85°C

Betriebsspannung
100V AC

Prüfspannung
500V AC

Verpackung
Stangenverpackung

Insulator material
Nylon, UL94V-0

Contact material
Phosphor bronze

Plating
Ni, Sn

Contact resistance
20mΩ max

Insulation resistance
100MΩ min

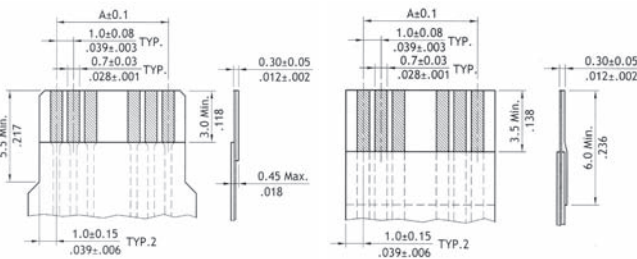
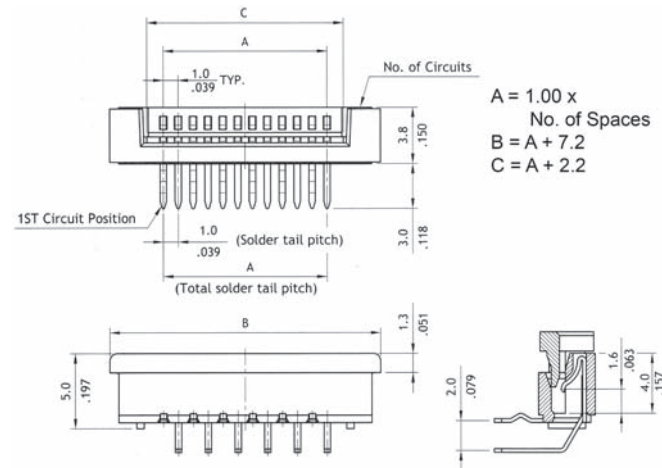
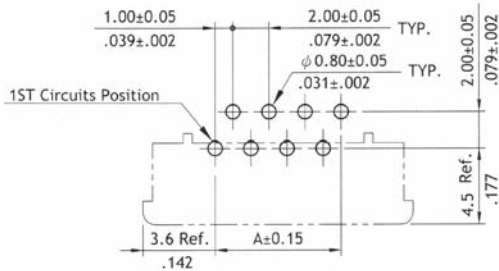
Current rating
1A

Operating temperature
-25°C - +85°C

Operating voltage
100V AC

Test voltage
500V AC

Packing
Tube packing



Bestellcode / Ordercode

Polzahlen

04 - 32

No. of contacts

04 - 32

Raster

100 - 1.00mm

Pitch

100 - 1.00mm

THT - DIP, horizontal,

Kontakte obenliegend

THT - DIP, horizontal,
topside contacts

Verpackung

T - Stange

Packing

T - Tube

AFFC10 xx - 100 - THT - x

Bitte „x“ durch die geeignete Option ersetzen
Please replace „x“ with appropriate option

Cable
assemblies

D-Sub / Hoods
Centronics

Multiflex -
DIN41651

Modular

USB
IEEE1394

Switches

Powercords
Powerlets

DIN41612
Hardmetric

MiniDIN

Sockets / Strips
Jumper

Terminal Blocks

Memory Card

FFC / FPC

AFFC10, Raster 1.00mm, ZIF, DIP, horizontal, Kontakte untenliegend
AFFC10, pitch 1.00mm, ZIF, DIP, horizontal, bottomside contacts

Isolierkörpermaterial
Nylon, UL94V-0

Kontaktmaterial
Phosphorbronze

Kontaktfläche
Ni, Sn

Kontaktwiderstand
20mΩ max

Isolationswiderstand
500MΩ min

Strombelastbarkeit
1A

Betriebstemperatur
-25°C - +85°C

Betriebsspannung
100V AC

Prüfspannung
500V AC

Verpackung
Stangenverpackung

Insulator material
Nylon, UL94V-0

Contact material
Phosphor bronze

Plating
Ni, Sn

Contact resistance
20mΩ max

Insulation resistance
100MΩ min

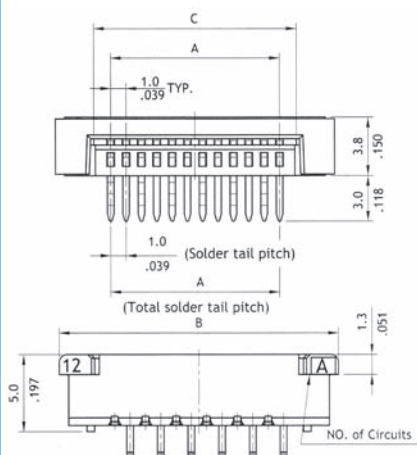
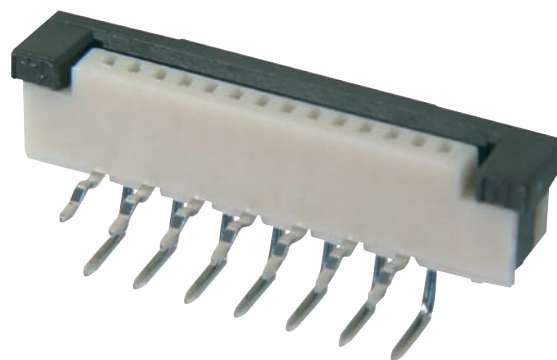
Current rating
1A

Operating temperature
-25°C - +85°C

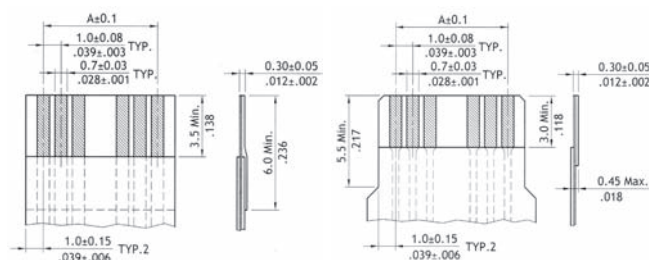
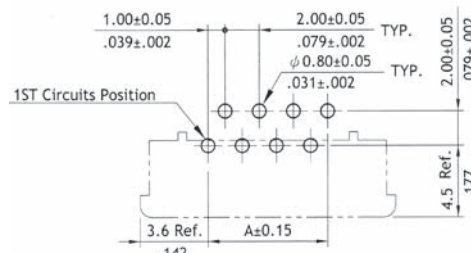
Operating voltage
100V AC

Test voltage
500V AC

Packing
Tube packing



A = 1.00 x
No. of Spaces
B = A + 7.2
C = A + 2.2



Bestellcode / Ordercode

Polzahlen

04 - 32

No. of contacts

04 - 32

Raster

100 - 1.00mm

Pitch

100 - 1.00mm

THB - DIP, horizontal,
Kontakte untenliegend

THB - DIP, horizontal,
bottomside contacts

Verpackung

T - Stange

Packing

T - Tube

AFFC10 **xx** - **100** - **THB** - **x**

Bitte „x“ durch die geeignete Option ersetzen
 Please replace „x“ with appropriate option

Cable
assemblies

D-Sub / Hoods
Centronics

Multiflex -
DIN41651

Modular

USB
IEEE1394

Switches

Powercords
Powernets

DIN41612
Hardmetric

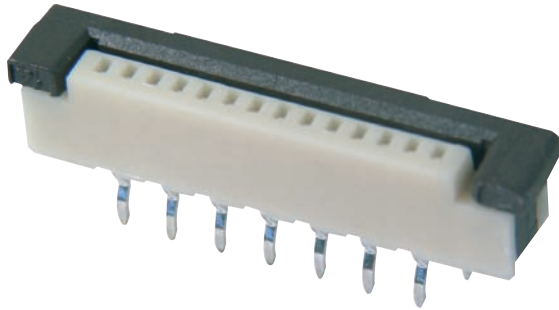
MiniDIN

Sockets / Strips
Jumper

Terminal Blocks

Memory Card

FFC / FPC



Isolierkörpermaterial
Nylon, UL94V-0

Kontaktmaterial
Phosphorbronze

Kontaktoberfläche
Ni, Sn

Kontaktwiderstand
20mΩ max

Isolationswiderstand
500MΩ min

Strombelastbarkeit
1A

Betriebstemperatur
-25°C - +85°C

Betriebsspannung
100V AC

Prüfspannung
500V AC

Verpackung
Stangenverpackung

Insulator material
Nylon, UL94V-0

Contact material
Phosphor bronze

Plating
Ni, Sn

Contact resistance
20mΩ max

Insulation resistance
100MΩ min

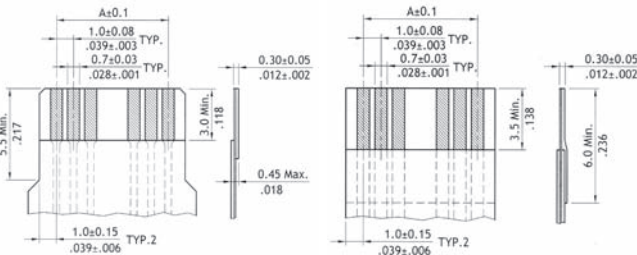
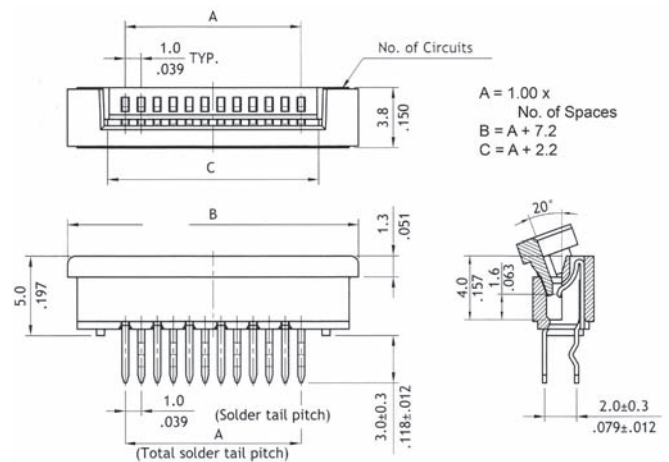
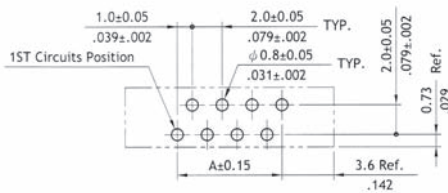
Current rating
1A

Operating temperature
-25°C - +85°C

Operating voltage
100V AC

Test voltage
500V AC

Packing
Tube packing



Bestellcode / Ordercode

Polzahlen

04 - 32

No. of contacts

04 - 32

Raster

100 - 1.00mm

Pitch

100 - 1.00mm

TVS - DIP, vertikal,
Kontakte einseitig

TVS - DIP, vertical,
single sided contacts

Verpackung

T - Stange

Packing

T - Tube

AFFC10 **xx** - **100** - **TVS** - **x**

Bitte „x“ durch die geeignete Option ersetzen
Please replace „x“ with appropriate option

Isolierkörpermaterial

Nylon, UL94V-0

Kontaktmaterial

Phosphorbronze

Kontaktoberfläche

Ni, Sn

Kontaktwiderstand

20mΩ max

Isolationswiderstand

500MΩ min

Strombelastbarkeit

1A

Betriebstemperatur

-25°C - +85°C

Betriebsspannung

100V AC

Prüfspannung

500V AC

Verpackung

Rollenverpackung oder
Stangenverpackung

Insulator material

Nylon, UL94V-0

Contact material

Phosphor bronze

Plating

Ni, Sn

Contact resistance

20mΩ max

Insulation resistance

100MΩ min

Current rating

1A

Operating temperature

-25°C - +85°C

Operating voltage

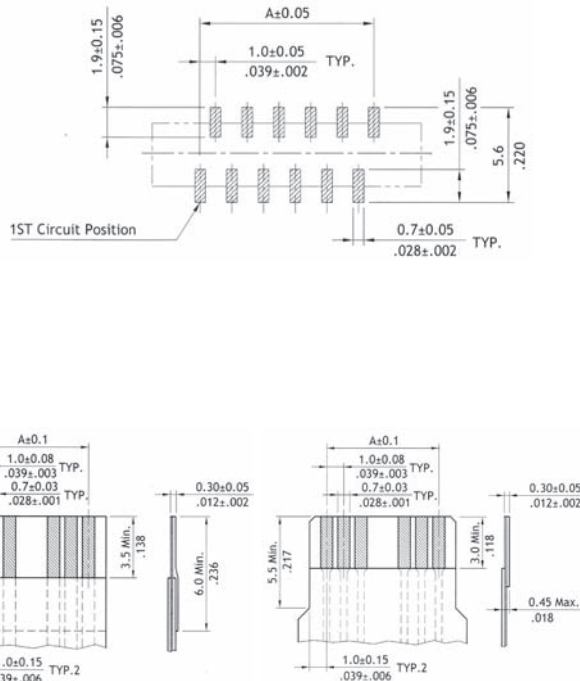
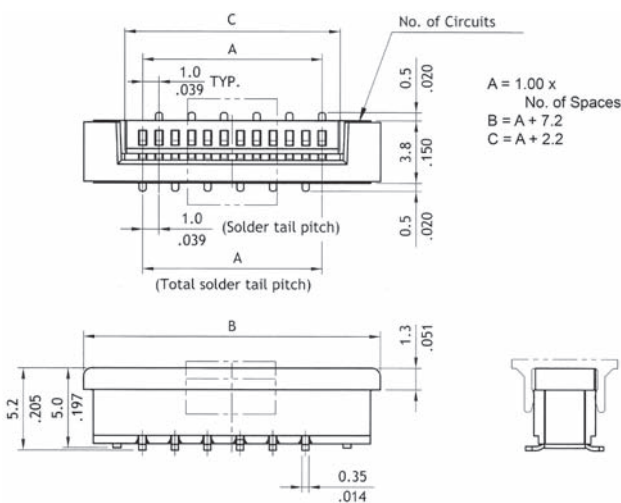
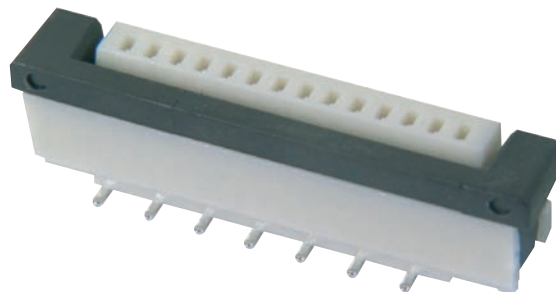
100V AC

Test voltage

500V AC

Packing

Reel packing or
Tube packing



Bestellcode / Ordercode

Polzahlen

04 - 32

Raster

100 - 1.00mm

SVS - SMD, vertikal,
Kontakte einseitig

Verpackung

T - Stange
R - Rolle

No. of contacts

04 - 32

Pitch

100 - 1.00mm

SVS - SMD, vertical,
single sided contacts

Packing

T - Tube
R - Reel

AFFC10 **xx** - **100** - **SVS** - **x**

Bitte „x“ durch die geeignete Option ersetzen
 Please replace „x“ with appropriate option

Cable
assemblies

D-Sub / Hoods
Centronics

Multiflex -
DIN41651

Modular

USB
IEEE1394

Switches

Powercards
Powernets

DIN41612
Hardmetric

MiniDIN

Sockets / Strips
Jumper

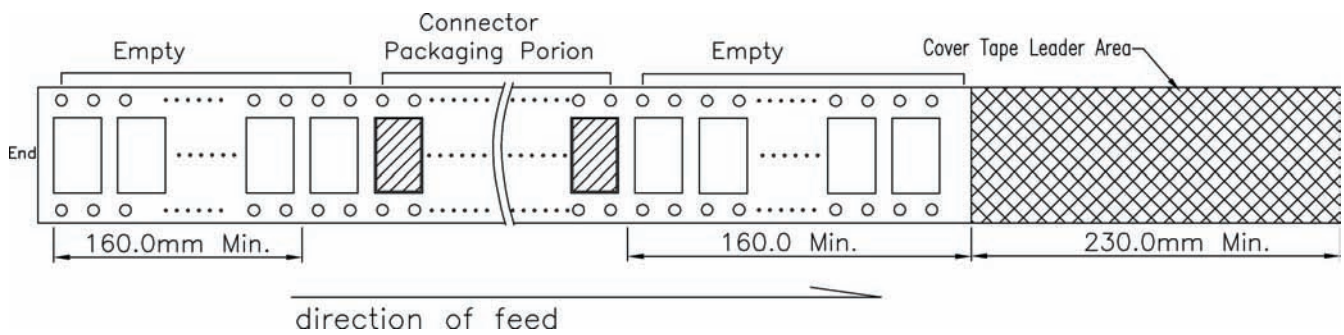
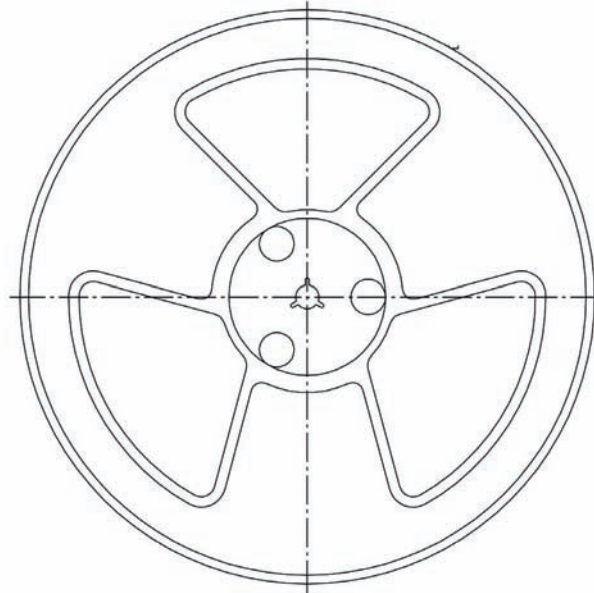
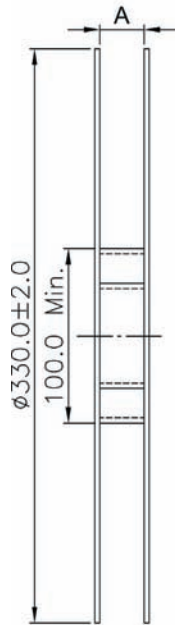
Terminal Blocks

Memory Card

FFC / FPC

Verpackung entspricht
EIA-481-C.

Packing correspond with
EIA-481-C.



No. of contacts	A	Qty per Reel
04 - 10	24.50	800
11 - 15	32.50	800
16 - 26	44.50	800
27 - 32	56.50	800

Cable
assemblies

D-Sub / Hoods
Centronics

Multiflex -
DIN41651

Modular

USB
IEEE1394

Switches

Powercords
Powerlets

DIN41612
Hardmetric

MiniDIN

Sockets / Strips
Jumper

Terminal Blocks

Memory Card

FFC / FPC

Isolierkörpermaterial
Nylon, UL94V-0

Kontaktmaterial
Phosphorbronze

Kontaktfläche
Ni, Sn

Kontaktwiderstand
20mΩ max

Isolationswiderstand
500MΩ min

Strombelastbarkeit
1A

Betriebstemperatur
-25°C - +85°C

Betriebsspannung
100V AC

Prüfspannung
500V AC

Verpackung
Stangenverpackung

Insulator material
Nylon, UL94V-0

Contact material
Phosphor bronze

Plating
Ni, Sn

Contact resistance
20mΩ max

Insulation resistance
100MΩ min

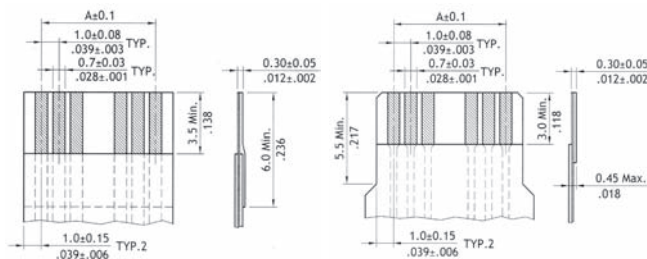
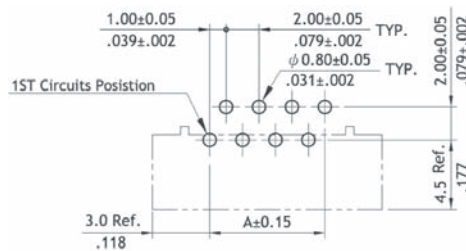
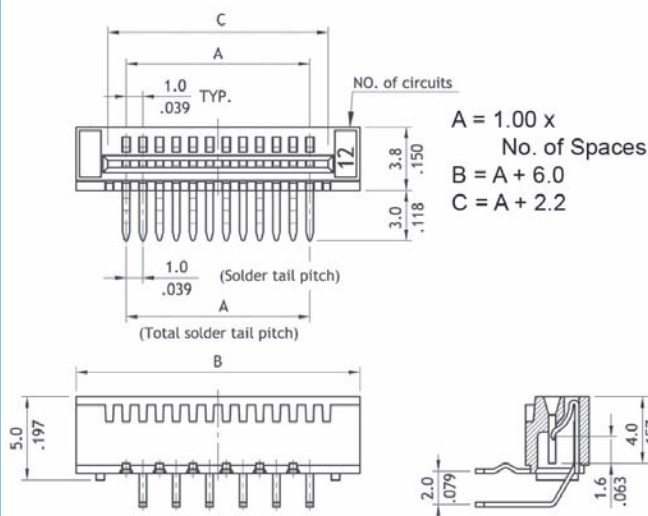
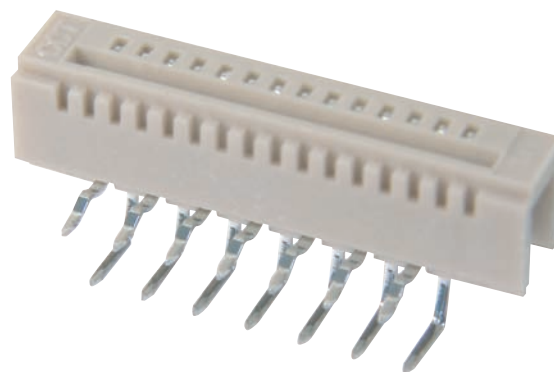
Current rating
1A

Operating temperature
-25°C - +85°C

Operating voltage
100V AC

Test voltage
500V AC

Packing
Tube packing



Bestellcode / Ordercode

Polzahlen

04 - 32

No. of contacts

04 - 32

Raster

100 - 1.00mm

Pitch

100 - 1.00mm

THT - DIP, horizontal,
Kontakte obenliegend

THT - DIP, horizontal,
topside contacts

Verpackung

T - Stange

Packing

T - Tube

AFFC16 **xx** - **100** - **THT** - **x**

Bitte „x“ durch die geeignete Option ersetzen
 Please replace „x“ with appropriate option

Cable assemblies

D-Sub / Hoods
Centronics

Multiflex -
DIN41651

Modular

USB
IEEE1394

Switches

Powercords
Powernets

DIN41612
Hardmetric

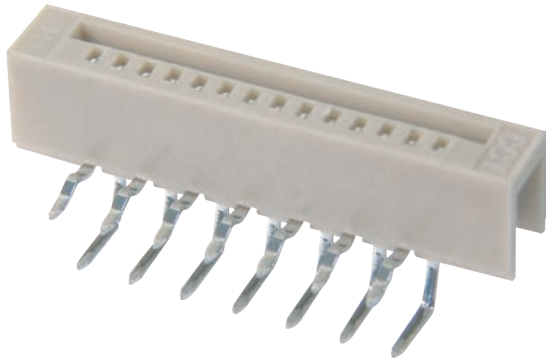
MiniDIN

Sockets / Strips
Jumper

Terminal Blocks

Memory Card

FFC / FPC



Isolierkörpermaterial
Nylon, UL94V-0

Kontaktmaterial
Phosphorbronze

Kontaktoberfläche
Ni, Sn

Kontaktwiderstand
20mΩ max

Isolationswiderstand
500MΩ min

Strombelastbarkeit
1A

Betriebstemperatur
-25°C - +85°C

Betriebsspannung
100V AC

Prüfspannung
500V AC

Verpackung
Stangenverpackung

Insulator material
Nylon, UL94V-0

Contact material
Phosphor bronze

Plating
Ni, Sn

Contact resistance
20mΩ max

Insulation resistance
100MΩ min

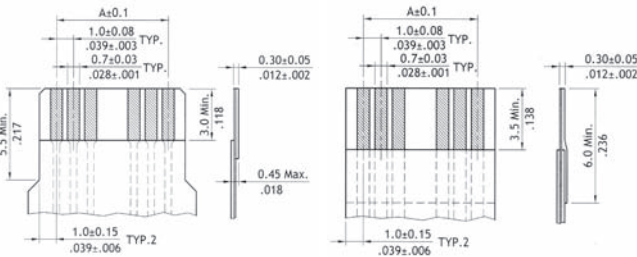
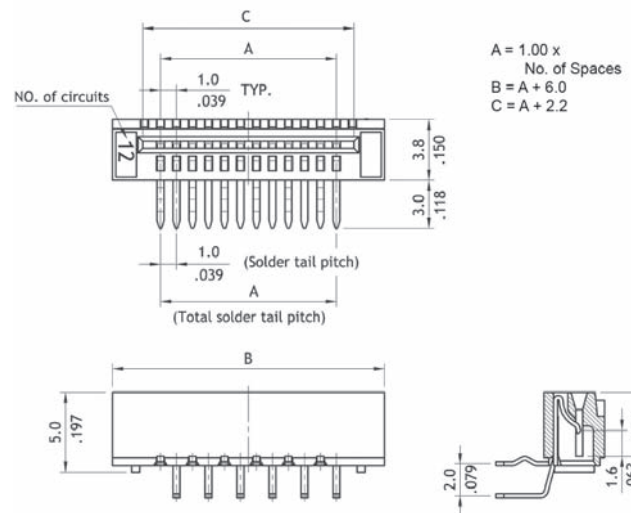
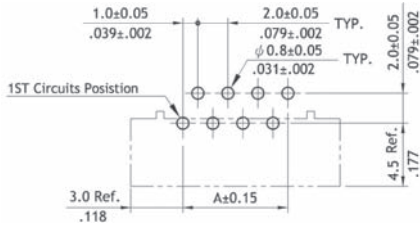
Current rating
1A

Operating temperature
-25°C - +85°C

Operating voltage
100V AC

Test voltage
500V AC

Packing
Tube packing



Bestellcode / Ordercode

Polzahlen

No. of contacts

04 - 32

04 - 32

Raster

Pitch

100 - 1.00mm

100 - 1.00mm

THB - DIP, horizontal,
Kontakte untenliegens

THB - DIP, horizontal,
bottomside contacts

Verpackung

Packing

T - Stange

T - Tube

AFFC16 **xx** - **100** - **THB** - **x**

Bitte „x“ durch die geeignete Option ersetzen
Please replace „x“ with appropriate option

Cable
assemblies

D-Sub / Hoods
Centronics

Multiflex -
DIN41651

Modular

USB
IEEE1394

Switches

Powercords
Powerlets

DIN41612
Hardmetric

MiniDIN

Sockets / Strips
Jumper

Terminal Blocks

Memory Card

FFC / FPCC

Isolierkörpermaterial
Nylon, UL94V-0

Kontaktmaterial
Phosphorbronze

Kontaktoberfläche
Ni, Sn

Kontaktwiderstand
20mΩ max

Isolationswiderstand
500MΩ min

Strombelastbarkeit
1A

Betriebstemperatur
-25°C - +85°C

Betriebsspannung
100V AC

Prüfspannung
500V AC

Verpackung
Stangenverpackung

Insulator material
Nylon, UL94V-0

Contact material
Phosphor bronze

Plating
Ni, Sn

Contact resistance
20mΩ max

Insulation resistance
100MΩ min

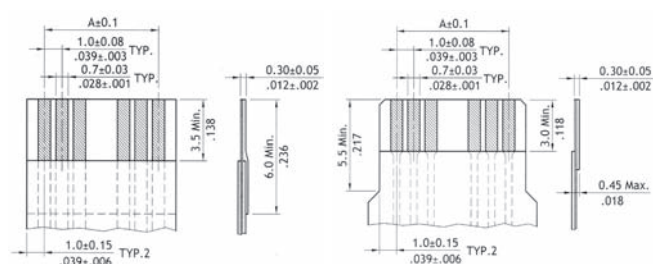
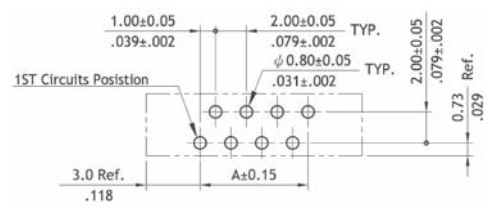
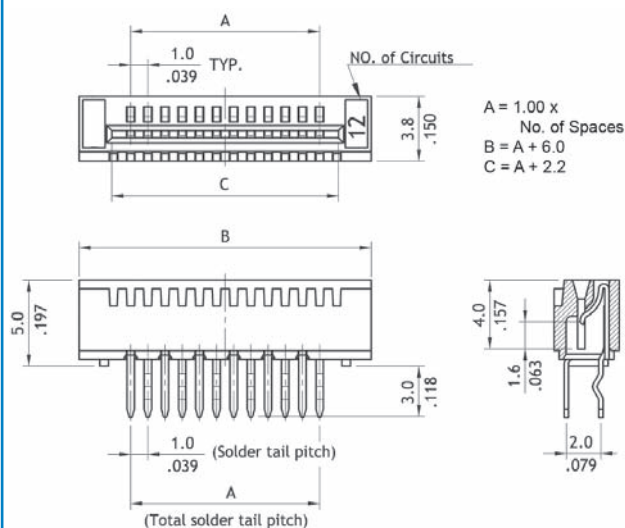
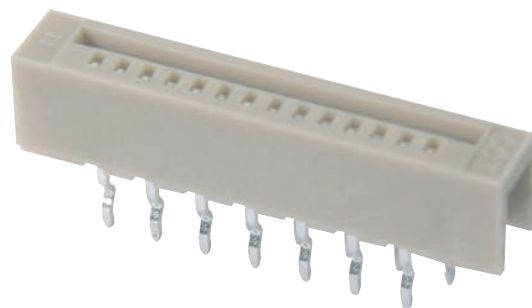
Current rating
1A

Operating temperature
-25°C - +85°C

Operating voltage
100V AC

Test voltage
500V AC

Packing
Tube packing



Bestellcode / Ordercode

Polzahlen

No. of contacts

06 - 33

03 - 33

Raster

Pitch

100 - 1.00mm

100 - 1.00mm

TVS - DIP, vertikal,
Kontakte einseitig

TVS - DIP, vertical,
single sided contacts

Verpackung

Packing

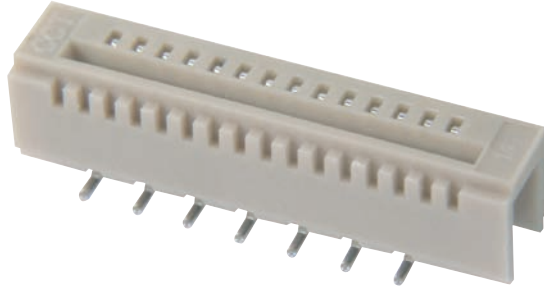
T - Stange

T - Tube

AFFC16 **xx** - **100** - **TVS** - **x**

Bitte „x“ durch die geeignete Option ersetzen
 Please replace „x“ with appropriate option

- Cable assemblies
- D-Sub / Hoods Centronics
- Multiflex - DIN41651
- Modular
- USB IEEE1394
- Switches
- Powercards Powerinlets
- DIN41612 Hardmetric
- MiniDIN
- Terminal Blocks Sockets / Strips Jumper
- Memory Card
- FFC / FPC



Isolierkörpermaterial
Nylon, UL94V-0

Kontaktmaterial
Phosphorbronze

Kontaktoberfläche
Ni, Sn

Kontaktwiderstand
20mΩ max

Isolationswiderstand
500MΩ min

Strombelastbarkeit
1A

Betriebstemperatur
-25°C - +85°C

Betriebsspannung
100V AC

Prüfspannung
500V AC

Verpackung
Rollenverpackung oder
Stangenverpackung

Insulator material
Nylon, UL94V-0

Contact material
Phosphor bronze

Plating
Ni, Sn

Contact resistance
20mΩ max

Insulation resistance
100MΩ min

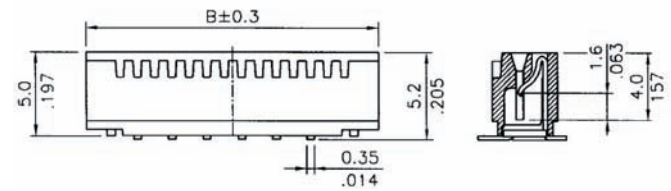
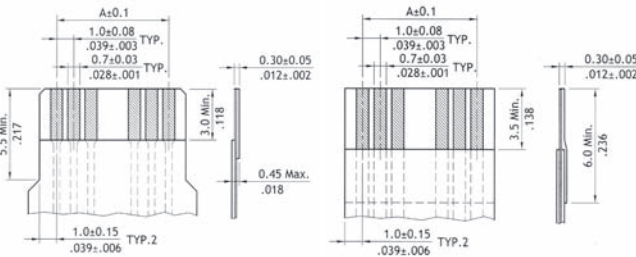
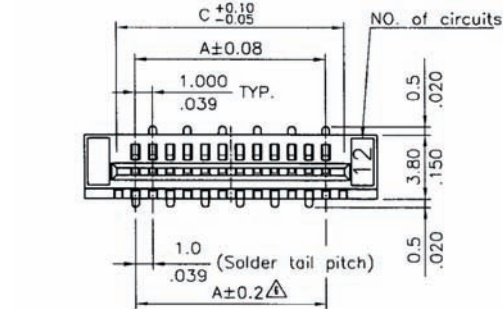
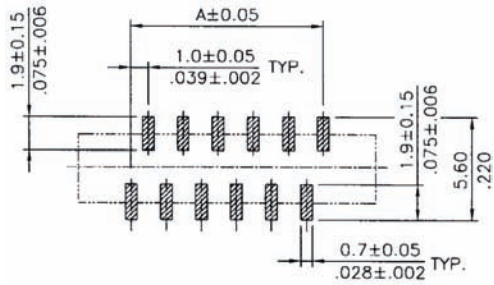
Current rating
1A

Operating temperature
-25°C - +85°C

Operating voltage
100V AC

Test voltage
500V AC

Packing
Reel packing or
Tube packing



Bestellcode / Ordercode

Polzahlen

04 - 32

No. of contacts

04 - 32

Raster

100 - 1.00mm

Pitch

100 - 1.00mm

SVS - SMD, vertikal,
Kontakte einseitig

SVS - SMD, vertical,
single sided contacts

Verpackung

T - Stange
R - Rolle

Packing

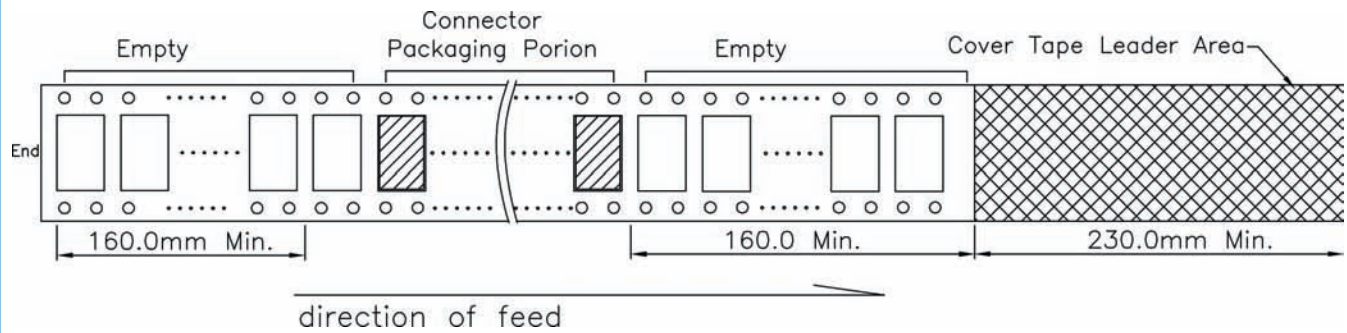
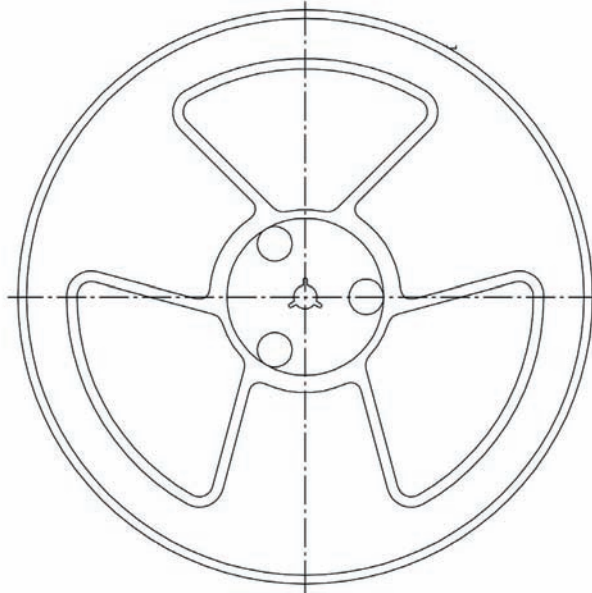
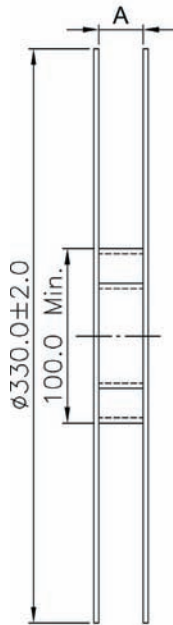
T - Tube
R - Reel

AFFC16 **xx** - **100** - **SVS** - **x**

Bitte „x“ durch die geeignete Option ersetzen
Please replace „x“ with appropriate option

Verpackung entspricht
EIA-481-C.

Packing correspond with
EIA-481-C.



No. of contacts	A	Qty per Reel
04 - 10	24.50	800
11 - 16	32.50	800
17 - 27	44.50	800
28 - 32	56.50	800

Cable
assemblies

D-Sub / Hoods
Centronics

Multiflex -
DIN41651

Modular

USB
IEEE1394

Switches

Powercards
Powerinlets

DIN41612
Hardmetric

MiniDIN

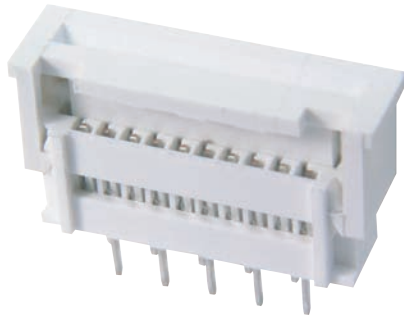
Sockets / Strips
Jumper

Terminal Blocks

Memory Card

FFC / FPC

- Cable assemblies
- D-Sub / Hoods Centronics
- Multiflex - DIN41651
- Modular
- USB IEEE1394
- Switches
- Powercords Powerlets
- DIN41612 Hardmetric
- MiniDIN
- Sockets / Strips Jumper
- Terminal Blocks
- Memory Card
- FFC / FPC



Isolierkörpermaterial
Nylon, UL94V-0

Kontaktmaterial
Phosphorbronze

Kontaktoberfläche
Ni, Sn

Kontaktwiderstand
20mΩ max

Isolationswiderstand
500MΩ min

Strombelastbarkeit
1A

Betriebstemperatur
-40°C - +105°C

Betriebsspannung
100V AC

Prüfspannung
500V AC

Verpackung
Stangenverpackung

Insulator material
Nylon, UL94V-0

Contact material
Phosphor bronze

Plating
Ni, Sn

Contact resistance
20mΩ max

Insulation resistance
500MΩ min

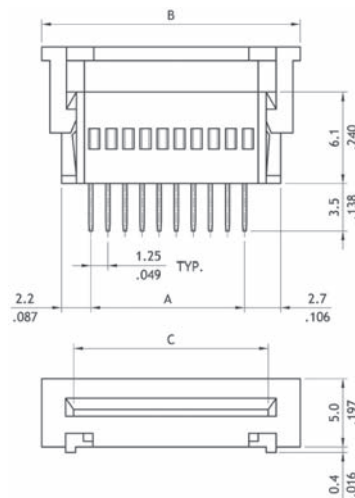
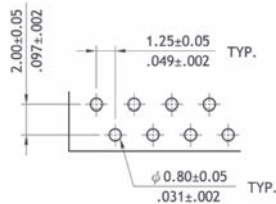
Current rating
1A

Operating temperature
-40°C - +105°C

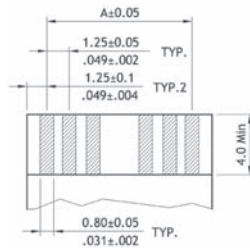
Operating voltage
100V AC

Test voltage
500V AC

Packing
Tube packing



A = 1.25 x
No. of Spaces
B = A + 7.1
C = A + 2.7



Bestellcode / Ordercode

Polzahlen

No. of contacts

02 - 32

02 - 32

Raster

Pitch

125 - 1.25mm

125 - 1.25mm

TVS - DIP, vertikal,
Kontakte einseitig

TVS - DIP, vertical,
single sided contacts

Verpackung

Packing

T - Stange

T - Tube

AFFC01 **xx** - **125** - **TVS** - **x**

Bitte „x“ durch die geeignete Option ersetzen
Please replace „x“ with appropriate option

Isolierkörpermaterial
Nylon, UL94V-0

Kontaktmaterial
Phosphorbronze

Kontaktfläche
Ni, Sn

Kontaktwiderstand
20mΩ max

Isolationswiderstand
500MΩ min

Strombelastbarkeit
1A

Betriebstemperatur
-40°C - +105°C

Betriebsspannung
100V AC

Prüfspannung
500V AC

Verpackung
Stangenverpackung

Insulator material
Nylon, UL94V-0

Contact material
Phosphor bronze

Plating
Ni, Sn

Contact resistance
20mΩ max

Insulation resistance
500MΩ min

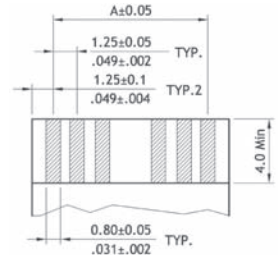
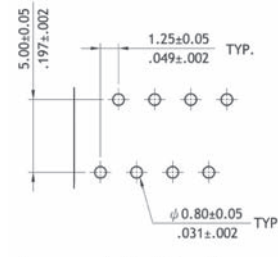
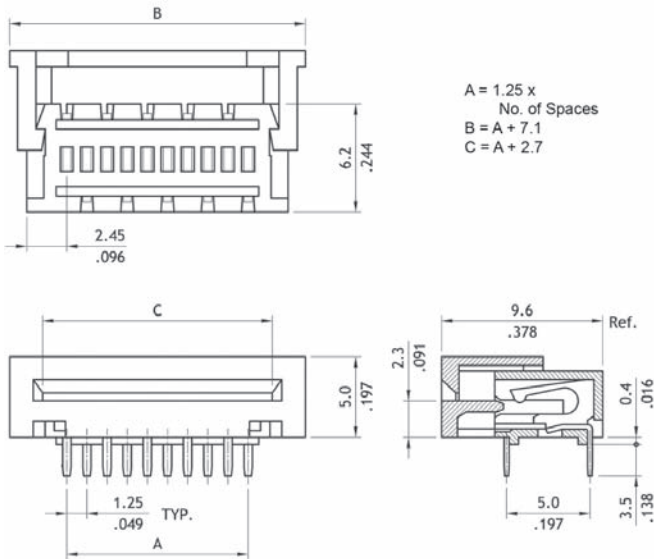
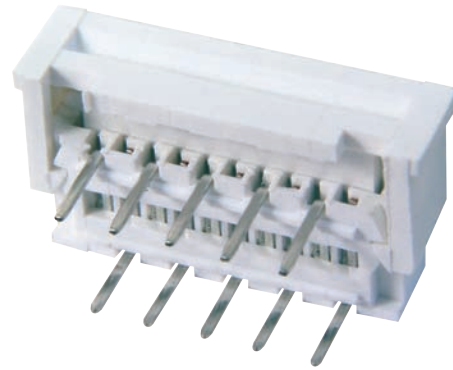
Current rating
1A

Operating temperature
-40°C - +105°C

Operating voltage
100V AC

Test voltage
500V AC

Packing
Tube packing



Bestellcode / Ordercode

Polzahlen
02 - 32

No. of contacts
02 - 32

Raster
125 - 1.25mm

Pitch
125 - 1.25mm

THT - DIP, horizontal,
Kontakte obenliegend

TVS - DIP, horizontal,
topside contacts

Verpackung
T - Stange

Packing
T - Tube

AFFC01 **xx** - **125** - **THT** - **x**

Bitte „x“ durch die geeignete Option ersetzen
 Please replace „x“ with appropriate option

Cable
assemblies

D-Sub / Hoods
Centronics

Multiflex -
DIN41651

Modular

USB
IEEE1394

Switches

Powercards
Powerinlets

DIN41612
Hardmetric

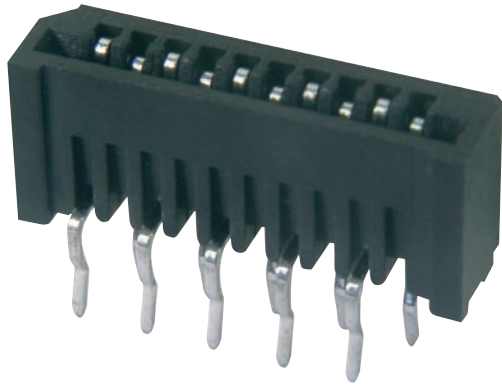
MiniDIN

Sockets / Strips
Jumper

Terminal Blocks

Memory Card

FFC / FPC



Isolierkörpermaterial
Nylon, UL94V-0

Kontaktmaterial
Phosphorbronze

Kontaktoberfläche
Ni, Sn

Kontaktwiderstand
20mΩ max

Isolationswiderstand
500MΩ min

Strombelastbarkeit
1A

Betriebstemperatur
-40°C - +105°C

Betriebsspannung
100V AC

Prüfspannung
500V AC

Verpackung
Stangenverpackung

Insulator material
Nylon, UL94V-0

Contact material
Phosphor bronze

Plating
Ni, Sn

Contact resistance
20mΩ max

Insulation resistance
500MΩ min

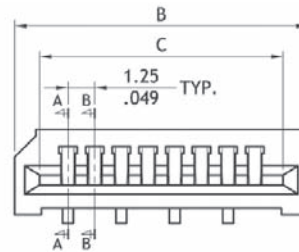
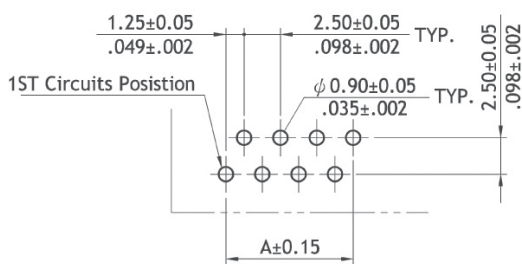
Current rating
1A

Operating temperature
-40°C - +105°C

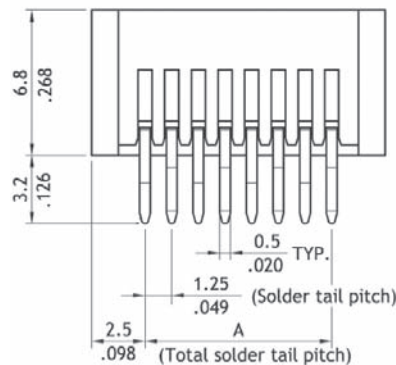
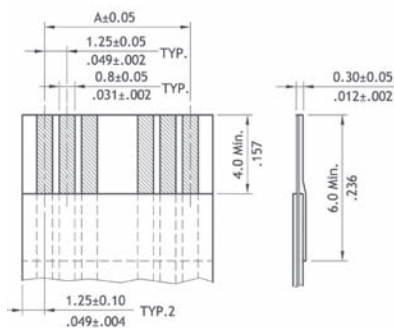
Operating voltage
100V AC

Test voltage
500V AC

Packing
Tube packing



A = 1.25 x
No. of Spaces
B = A + 5.0
C = A + 2.66



Bestellcode / Ordercode

Polzahlen

03 - 36

No. of contacts

03 - 36

Raster

125 - 1.25mm

Pitch

125 - 1.25mm

THS - DIP, horizontal,
Kontakte einseitig

TVS - DIP, horizontal,
single sided contacts

Verpackung

T - Stange

Packing

T - Tube

AFFC12 **xx** - **125** - **THS** - **x**

Bitte „x“ durch die geeignete Option ersetzen
Please replace „x“ with appropriate option

Isolierkörpermaterial

Nylon, UL94V-0

Kontaktmaterial

Phosphorbronze

Kontaktoberfläche

Ni, Sn

Kontaktwiderstand

20mΩ max

Isolationswiderstand

500MΩ min

Strombelastbarkeit

1A

Betriebstemperatur

-40°C - +105°C

Betriebsspannung

100V AC

Prüfspannung

500V AC

Verpackung

Stangenverpackung

Insulator material

Nylon, UL94V-0

Contact material

Phosphor bronze

Plating

Ni, Sn

Contact resistance

20mΩ max

Insulation resistance

500MΩ min

Current rating

1A

Operating temperature

-40°C - +105°C

Operating voltage

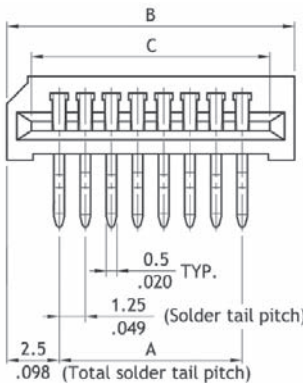
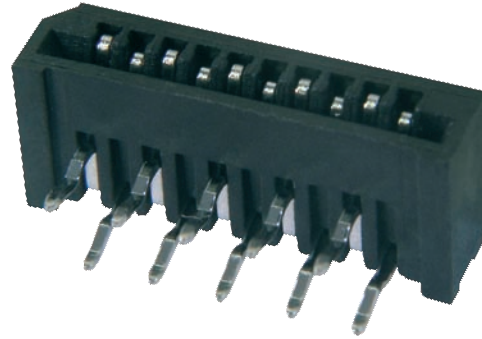
100V AC

Test voltage

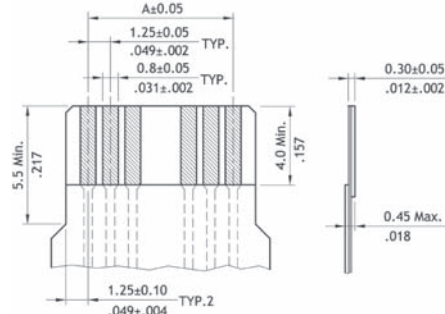
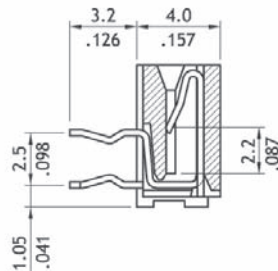
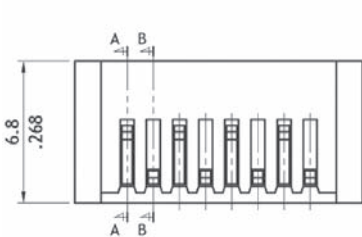
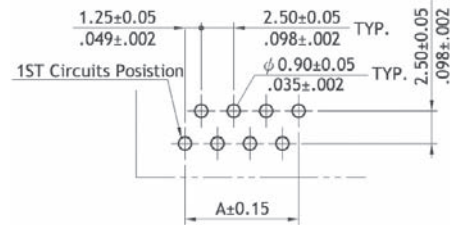
500V AC

Packing

Tube packing



A = 2.54 x
 No. of Spaces
 B = A + 8.0
 C = A + 5.9



Bestellcode / Ordercode

Polzahlen

03 - 36

No. of contacts

03 - 36

Raster

125 - 1.25mm

Pitch

125 - 1.25mm

THT - DIP, horizontal,
 Kontakte obenliegend

TVS - DIP, horizontal,
 topside contacts

Verpackung

T - Stange

Packing

T - Tube

AFFC12 **xx** - **125** - **THT** - **x**

Bitte „x“ durch die geeignete Option ersetzen
 Please replace „x“ with appropriate option

Cable assemblies

D-Sub / Hoods
 Centronics

Multiflex -
 DIN41651

Modular

USB
 IEEE1394

Switches

Powercards
 Powerline

DIN41612
 Hardmetric

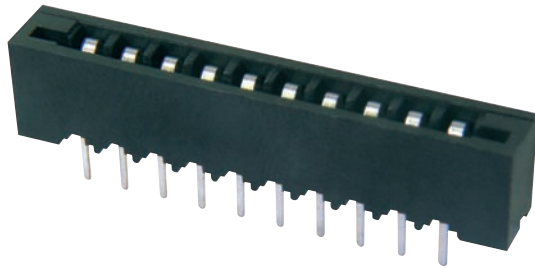
MiniDIN

Sockets / Strips
 Jumper

Terminal Blocks

Memory Card

FFC / FPC



Isolierkörpermaterial
Nylon, UL94V-0

Kontaktmaterial
Phosphorbronze

Kontaktoberfläche
Ni, Sn

Kontaktwiderstand
20mΩ max

Isolationswiderstand
1000MΩ min

Strombelastbarkeit
1A

Betriebstemperatur
-55°C - +85°C

Betriebsspannung
100V AC

Prüfspannung
500V AC

Verpackung
Stangenverpackung

Insulator material
Nylon, UL94V-0

Contact material
Phosphor bronze

Plating
Ni, Sn

Contact resistance
20mΩ max

Insulation resistance
1000MΩ min

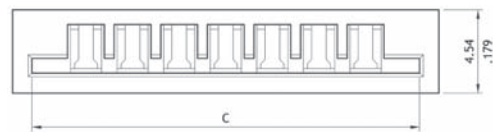
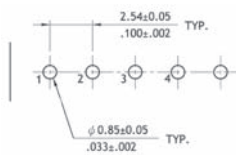
Current rating
1A

Operating temperature
-55°C - +85°C

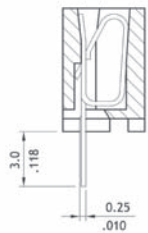
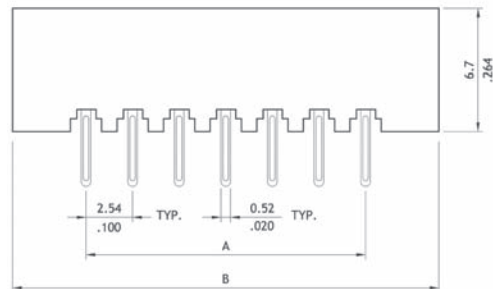
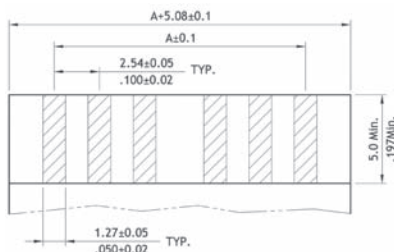
Operating voltage
100V AC

Test voltage
500V AC

Packing
Tube packing



A = 2.54 x
No. of Spaces
B = A + 8.0
C = A + 5.9



Bestellcode / Ordercode

Polzahlen

No. of contacts

06 - 27

06 - 27

Raster

Pitch

254 - 2.54mm

254 - 2.54mm

THS - DIP, vertikal,
Kontakte einseitig

THS - DIP, vertical,
single sided contacts

Verpackung

Packing

T - Stange

T - Tube

AFFC14 **xx** - **254** - **TVS** - **x**

Bitte „x“ durch die geeignete Option ersetzen
Please replace „x“ with appropriate option

Isolierkörpermaterial
Nylon, UL94V-0

Kontaktmaterial
Phosphorbronze

Kontaktoberfläche
Ni, Sn

Kontaktwiderstand
20mΩ max

Isolationswiderstand
1000MΩ min

Strombelastbarkeit
1A

Betriebstemperatur
-55°C - +85°C

Betriebsspannung
100V AC

Prüfspannung
500V AC

Verpackung
Stangenverpackung

Insulator material
Nylon, UL94V-0

Contact material
Phosphor bronze

Plating
Ni, Sn

Contact resistance
20mΩ max

Insulation resistance
1000MΩ min

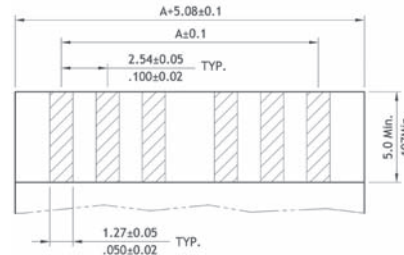
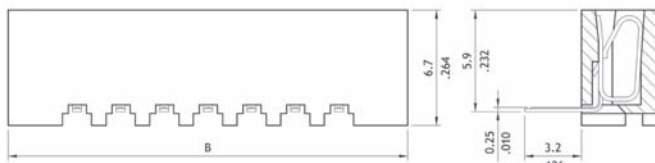
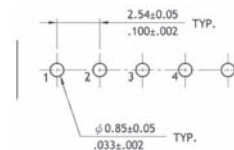
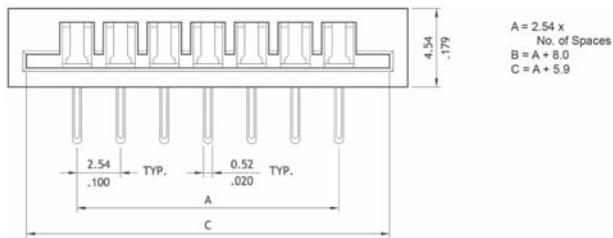
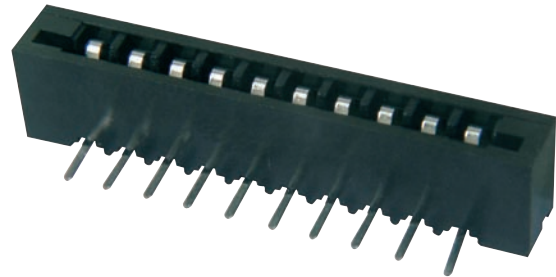
Current rating
1A

Operating temperature
-55°C - +85°C

Operating voltage
100V AC

Test voltage
500V AC

Packing
Tube packing



Bestellcode / Ordercode

Polzahlen
06 - 27

No. of contacts
06 - 27

Raster
254 - 2.54mm

Pitch
254 - 2.54mm

THT - DIP, horizontal,
Kontakte obenliegend

TVS - DIP, horizontal,
topside contacts

Verpackung
T - Stange

Packing
T - Tube

AFFC14 **xx** - **254** - **THT** - **x**

Bitte „x“ durch die geeignete Option ersetzen
 Please replace „x“ with appropriate option

Cable assemblies

D-Sub / Hoods Centronics

Multiflex - DIN41651

Modular

USB IEEE1394

Switches

Powercards Powerinlets

DIN41612 Hardmetric

MiniDIN

Sockets / Strips Jumper

Terminal Blocks

Memory Card

FFC / FPC