

# Video Security

Dome Cameras | Minidomes

## VKCD-135

1/3" Colour Dome Camera In-Ceiling Mount  
with 3.7mm Lens, 12VDC, 380TVL

Art-No. 91788



## Features

For Wall and In-Ceiling Mount  
Resolution of 380 Horizontal Lines  
Built-in Pinhole Lens F2.0/3.7 mm  
Electronic Shutter Control (ESC)

Internal Synchronization  
Easy Installation  
Supply Voltage: 12 VDC

## Specifications

Video standard	PAL
System	Colour
Sensor size	1/3"
Imager	CCD, Sony Super HAD Interline Transfer CCD
Picture elements	approx. 290,000, 500(H) x 582(V)
Synchronization	Internal
Sensitivity (at 50% video signal)	2,0Lux, at F1.2, 5.4Lux at F2.0 (VT measurement result)
Horizontal resolution	380TVL
Rotation range	360°
Tilt range	approx. +/-60°
Gamma correction	0.45
Integration rate	no
Backlight compensation	no
IR cut filter	no
Video outputs (type)	CVBS
Video outputs	1Vp-p, CVBS, 75ohms
Lens mount	integrated lens
Lens type	fixed focal length
Lens	F2.0/3.7mm Pinhole
Application range	security

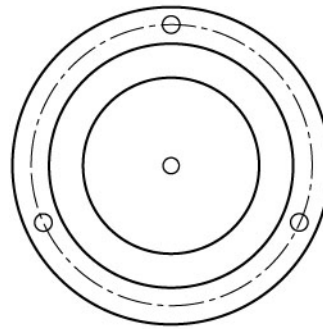
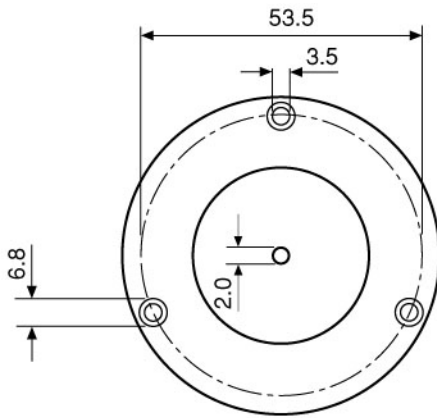
**VKCD-135**

(Specifications continued)

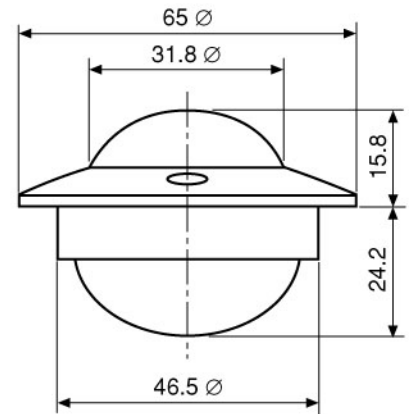
<b>Nominal format size</b>	1/3"
<b>Aspherical technology</b>	n/a
<b>Focal length</b>	3,7mm
<b>Horizontal angle of view</b>	68°
<b>Iris control</b>	no
<b>Mount</b>	n/a
<b>External connections</b>	Video (BNC), 12VDC (Cinch)
<b>Serial interfaces</b>	no
<b>Temperature range (Operation)</b>	-10°C ~ +40°C
<b>Heater</b>	no
<b>Protection rating</b>	n/a
<b>Supply voltage</b>	12VDC
<b>Power consumption</b>	2.2watts max.
<b>Colour (bubble)</b>	n/a
<b>Camera fixing</b>	no
<b>Mounting</b>	in-ceiling mount, wall mount
<b>Housing</b>	indoor housing
<b>Housing material</b>	aluminium
<b>Colour (housing)</b>	anodized light (C-0)
<b>Dimensions (DxH)</b>	See drawing
<b>Weight</b>	125g

**Accessories**

<b>70447 / VT-PS12DC-5</b>	Plug-in Power Supply Unit 100-240VAC 12VDC (1.0Amp), Regulated, with DC Plug
<b>77779 / VT-PS12DC-UK</b>	Power Supply Unit w. UK Mains plug-in, 100-240VAC/12VDC-1.0A, Regul., open Ends
<b>77773 / VT-PS12DCDT1</b>	PSU 12VDC/1.0A, Regulated, Desktop Version, 1.8m Cables each w. open ends



Ansicht von unten  
Bottom View



Maße/Dimensions: mm