

Video Security

Housings | eneo Economy Housings

EHL-W/ECLKA

Weatherproof Housing (300mm) w. Heater,
Thermostat, Wall Bracket, RAL9002,230VAC

Art-No. 79653



Features

Camera Weatherprotection with integrated Sunshield
Fold-down Aluminium Housing Body
UV Resistant ABS Plastic Front and Back Part
3mm Glass Front Window
Accepts Camera & Lens Combinations up to 252mm
Insulated Camera Mounting

2 Cable Entry Glands M16x1.5mm
230V Window Heater Included
Protection Rating IP66
Surface RAL9002
Wall Bracket with Swivel Head Included
Option: PSU 12/24V, Blower Kit, Camera Support Kit

Specifications

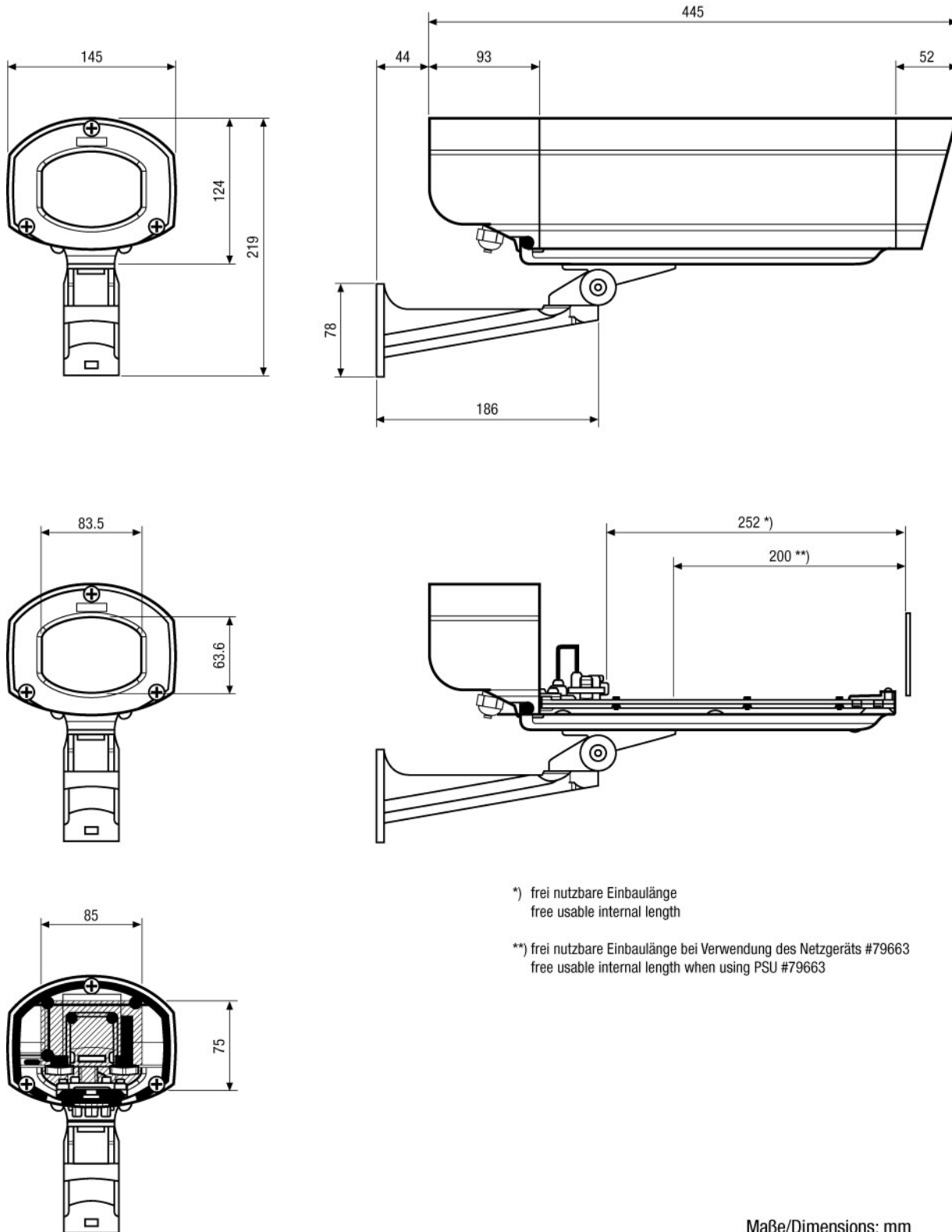
Maximum installation length	252mm
Max. camera size (LxWxH)	252x85x75mm
Space for power supply	50mm
Cable entries	2x M16x1.5mm for cable diameter 4.5~10mm, under removeable cover
Window heater	yes, 230V / 40W with thermostat
Thermostat	On: +15°C, Off: +22°C
Protection rating	IP66
Housing	outdoor housing, Aluminium with plastic covers (ABS)
Housing material	aluminium
Colour (housing)	RAL9002
Weight	2.4kg (incl. wall bracket)

Accessories

79604 / SU-6	Camera Height Adjustment Kit for VHK and EHL Housings (3 Diff. Slides and Screws)
79664 / EHL-BLS/230V	Blower Kit 230V/50Hz with Thermostat for EHL-W/ECLKA Housing, 230VAC

(Accessories continued)

70457 / AK-3	Camera Connection box, 230VAC Input 24VAC-100W, 12VDC-1A Output
79415 / NE-115	Power Supply Unit 230V/12VDC-400mA for Housings VTL-W/D-N2
79663 / NE-131/12V	Power Supply Unit 230V/12VDC-1.25A for Housings EHL-W/ECLKA and EHL-W/ECLKA-NW
79568 / NE-119/24V	Power Supply Unit 230V/24VAC (400mA) for EHL-W/ECLKA Housing Series
79592 / PM-6S	Pole Mount Adapter for 1 Wall Mount, (50-140mm Pole), RAL9002
79593 / PM-6D	Pole Mount Adapter for 2 Wall Mounts, (50-140mm Pole), RAL9002



*) frei nutzbare Einbaulänge
free usable internal length

***) frei nutzbare Einbaulänge bei Verwendung des Netzgeräts #79663
free usable internal length when using PSU #79663

Maße/Dimensions: mm

VIDEOR TECHNICAL E. Hartig GmbH
 Carl-Zeiss-Straße 8 · 63322 Rödermark · Germany
 Telefon +49 (0) 60 74/8 88-0 · Telefax +49 (0) 60 74/8 88-100
 info@videortechnical.com · www.videortechnical.com